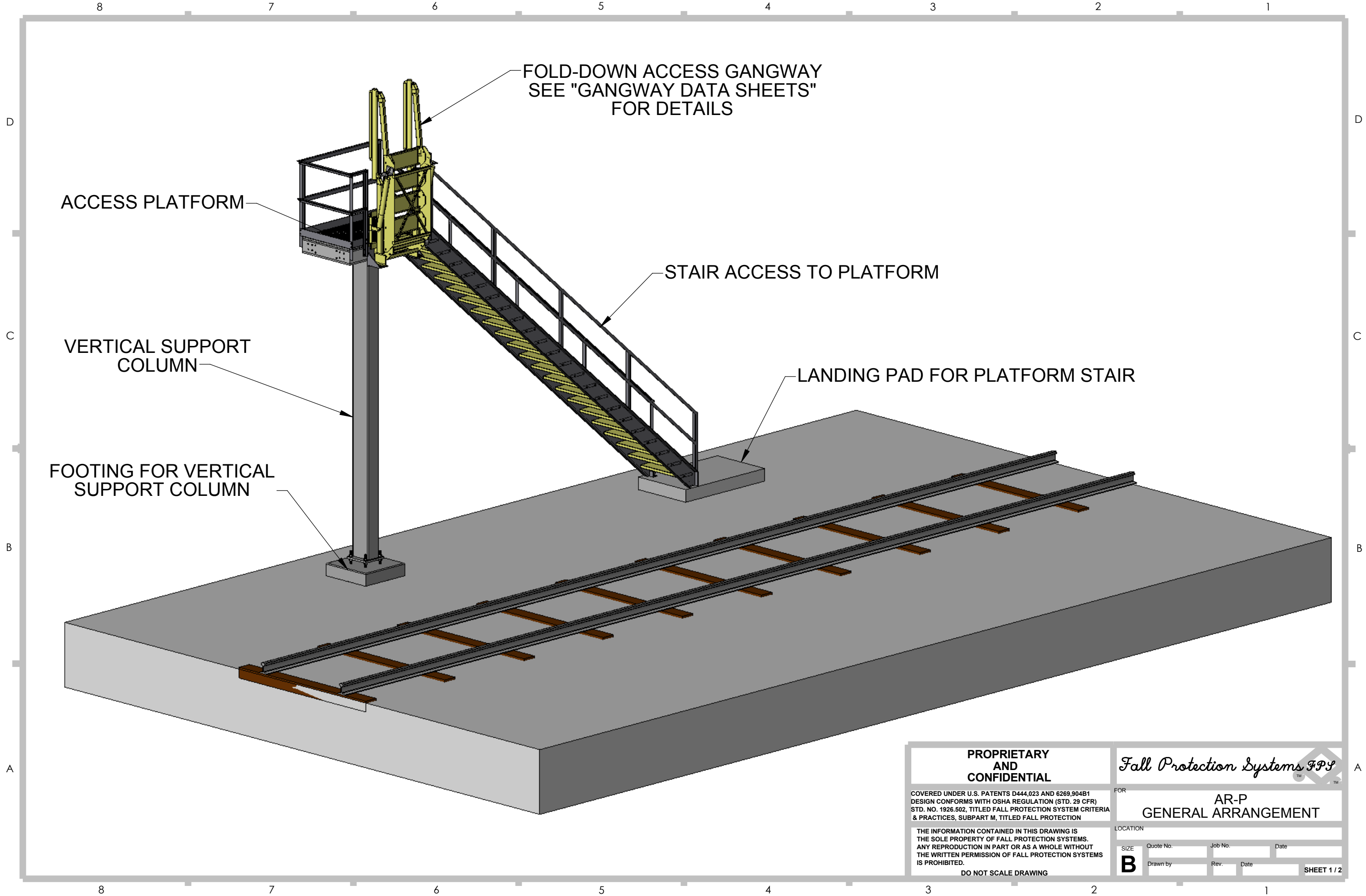


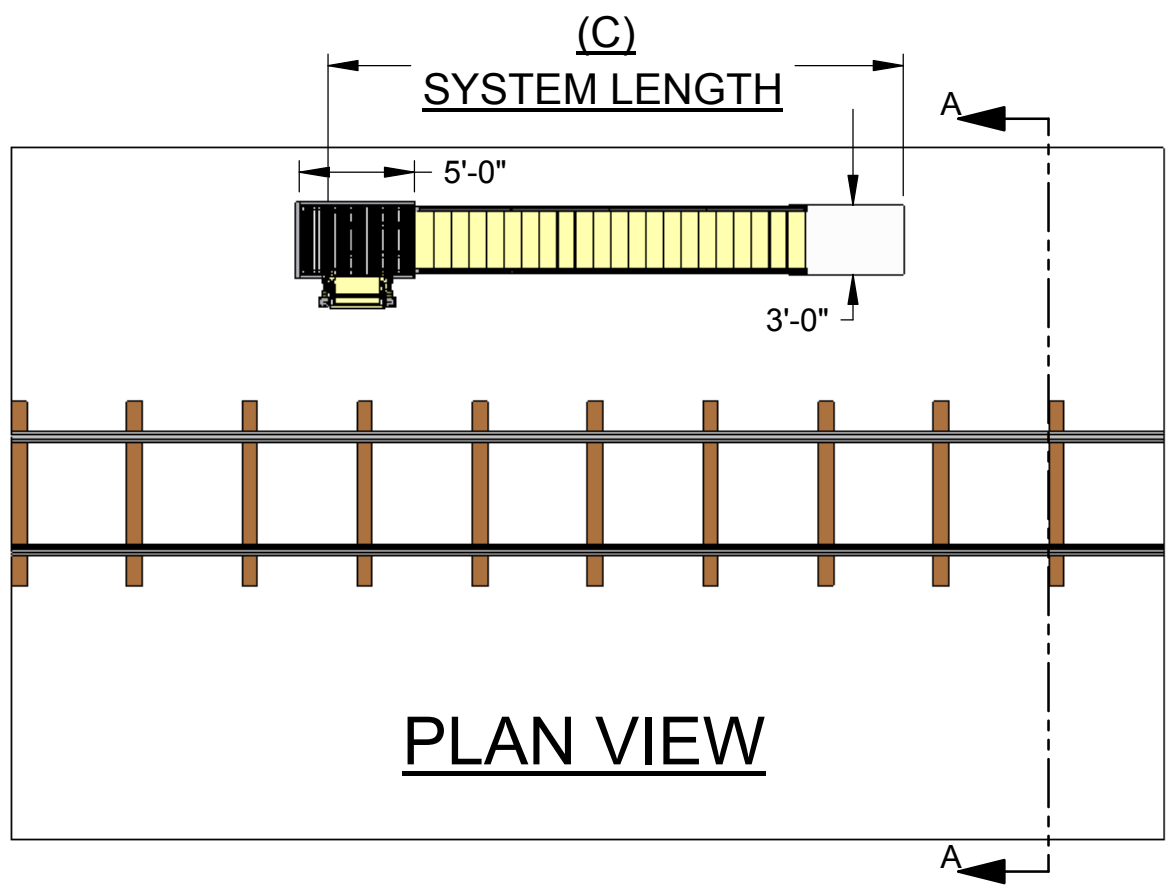
PROPRIETARY AND CONFIDENTIAL <small>COVERED UNDER U.S. PATENT'S D444,023 A AND 6269,904B1 DESIGN CONFORMS WITH OSHA REGULATION (STD. 29 CFR) STD. NO. 1926.502, TITLED FALL PROTECTION SYSTEM CRITERIA & PRACTICES, SUBPART M, TITLED FALL PROTECTION</small>	<i>Fall Protection Systems FPS</i>		
	AR-P GENERAL ARRANGEMENT		
<small>THE INFORMATION CONTAINED IN THIS DRAWING IS THE SOLE PROPERTY OF FALL PROTECTION SYSTEMS. ANY REPRODUCTION IN PART OR AS A WHOLE WITHOUT THE WRITTEN PERMISSION OF FALL PROTECTION SYSTEMS IS PROHIBITED.</small>	<small>LOCATION</small>		
<small>DO NOT SCALE DRAWING</small>	<small>Quote No.</small>	<small>Job No.</small>	<small>Date</small>
B	<small>Drawn by</small>	<small>Rev.</small>	<small>Date</small>
			SHEET 1/2



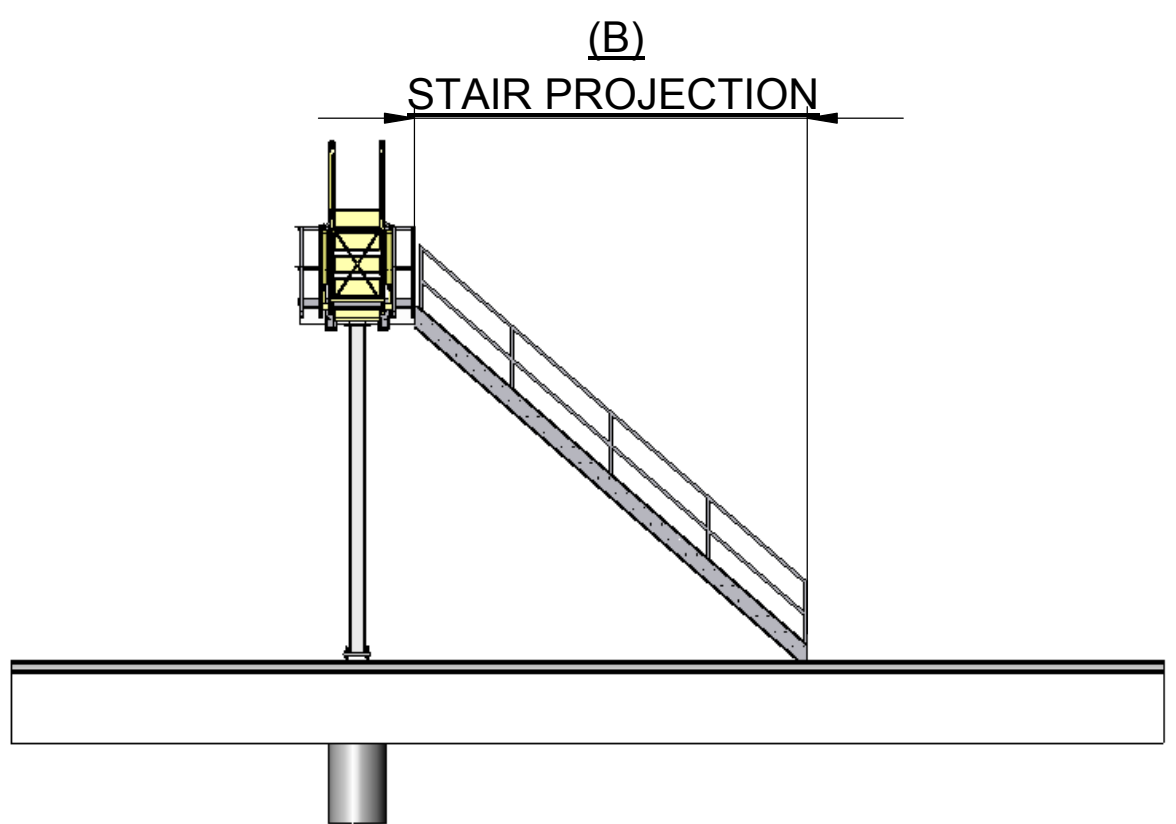
PROPRIETARY AND CONFIDENTIAL <small>COVERED UNDER U.S. PATENTS D444,023 AND 6269,904B1 DESIGN CONFORMS WITH OSHA REGULATION (STD. 29 CFR) STD. NO. 1926.502, TITLED FALL PROTECTION SYSTEM CRITERIA & PRACTICES, SUBPART M, TITLED FALL PROTECTION</small>	<i>Fall Protection Systems FPS</i>	
	FOR AR-P GENERAL ARRANGEMENT	
<small>THE INFORMATION CONTAINED IN THIS DRAWING IS THE SOLE PROPERTY OF FALL PROTECTION SYSTEMS. ANY REPRODUCTION IN PART OR AS A WHOLE WITHOUT THE WRITTEN PERMISSION OF FALL PROTECTION SYSTEMS IS PROHIBITED.</small>	LOCATION _____	
	SIZE B	Quote No. _____ Job No. _____ Date _____
DO NOT SCALE DRAWING	SHEET 1 / 2	

FIG A. SYSTEM HEIGHTS AND PROJECTIONS

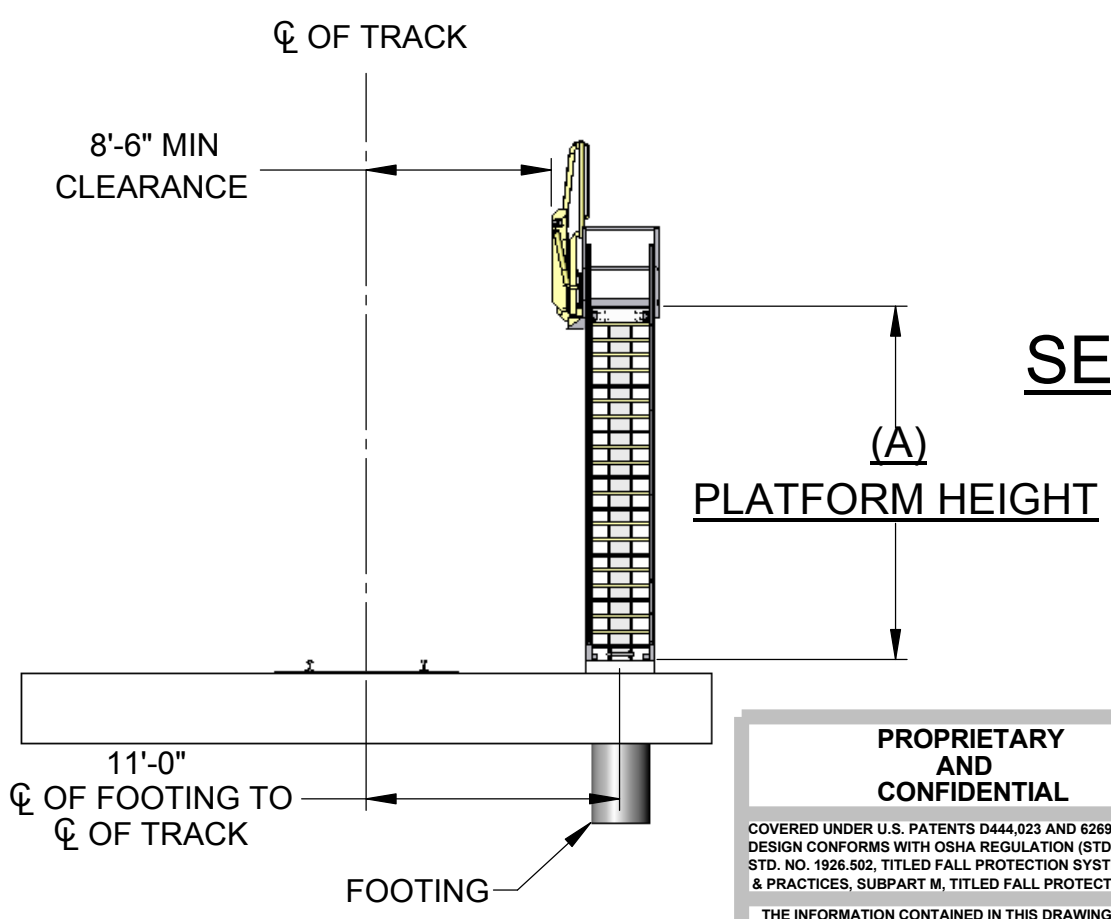
(A) PLATFORM HEIGHT	(B) STAIR STRINGER ROJECTION	(C) OVERALL SYSTEM LENGTH	CENTERLINE OF FOOTING TO CENTERLINE OF LANDING PAD
15'-4"	17'-0"	25'-0"	21'-3"
14'-8"	16'-3"	24'-2"	20'-5"
14'-0"	15'-6"	23'-5"	19'-8"
13'-4"	14'-9"	22'-8"	18'-11"
12'-8"	14'-0"	21'-11"	18'-2"
12'-0"	13'-3"	21'-2"	17'-5"
11'-4"	12'-4"	20'-4"	16'-7"



PLAN VIEW



FRONT VIEW



SECTION A-A

<p>PROPRIETARY AND CONFIDENTIAL</p> <p>COVERED UNDER U.S. PATENTS D444,023 AND 6269,904B1 DESIGN CONFORMS WITH OSHA REGULATION (STD. 29 CFR) STD. NO. 1926.502, TITLED FALL PROTECTION SYSTEM CRITERIA & PRACTICES, SUBPART M, TITLED FALL PROTECTION</p> <p>THE INFORMATION CONTAINED IN THIS DRAWING IS THE SOLE PROPERTY OF FALL PROTECTION SYSTEMS. ANY REPRODUCTION IN PART OR AS A WHOLE WITHOUT THE WRITTEN PERMISSION OF FALL PROTECTION SYSTEMS IS PROHIBITED.</p> <p>DO NOT SCALE DRAWING</p>	<p>Fall Protection Systems <i>FPS</i></p>
	<p>FOR</p> <p>AR-P</p> <p>GENERAL ARRANGEMENT</p>
<p>LOCATION</p>	<p>SIZE</p> <p>B</p>
<p>Quote No. _____ Job No. _____ Date _____</p> <p>Drawn by _____ Rev. _____ Date _____</p>	<p>SHEET 2 / 2</p>