

PROPRIETARY AND CONFIDENTIAL

COVERED UNDER U.S. PATENTS D444,033 AND 5293,564B1
DESIGN CONFORMS WITH OSHA REGULATION (STD. 29 CFR)
STD. NO. 1926.502, TITLED FALL PROTECTION SYSTEM CRITERIA
& PRACTICES, SUBPART M, TITLED FALL PROTECTION

THE INFORMATION CONTAINED IN THIS DRAWING IS
THE SOLE PROPERTY OF FALL PROTECTION SYSTEMS.
ANY REPRODUCTION IN PART OR AS A WHOLE WITHOUT
THE WRITTEN PERMISSION OF FALL PROTECTION SYSTEMS
IS PROHIBITED.

DO NOT SCALE DRAWING

Fall Protection Systems FPS

FOR
**TWIN AR-SPH
GENERAL ARRANGEMENT**

LOCATION

DATE No. Job No. Date

SIZE B Drawn by Rev. Date

SHEET 1 / 2

STANDARD USER SET

VERTICAL SUPPORT COLUMN

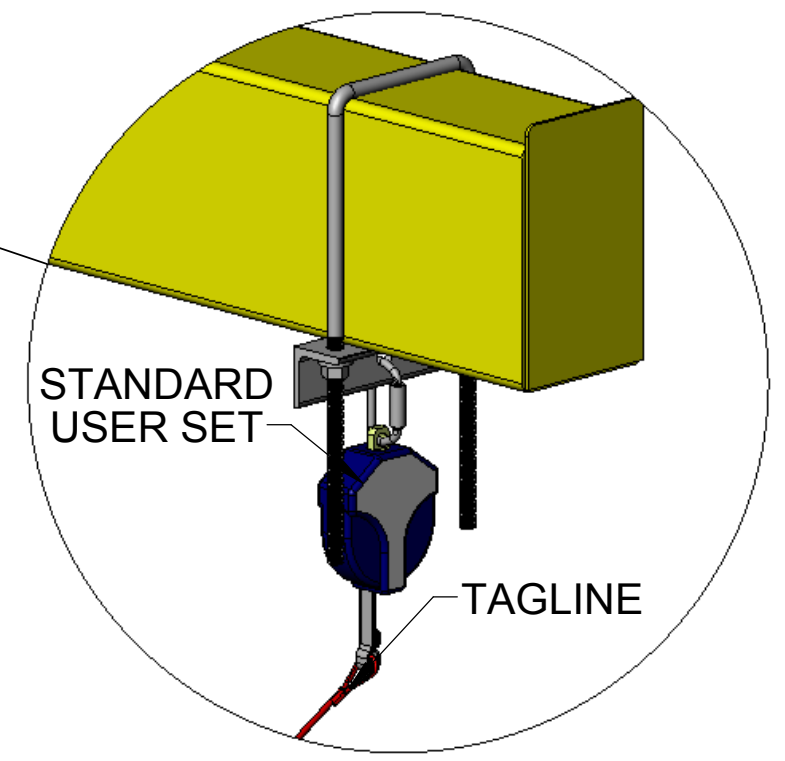
FOLD-DOWN ACCESS GANGWAY
SEE "GANGWAY DATA SHEETS"
FOR DETAILS

ACCESS PLATFORM

STAIR ACCESS TO PLATFORM

LANDING PAD FOR PLATFORM STAIR

DETAIL OF STANDARD USER SET

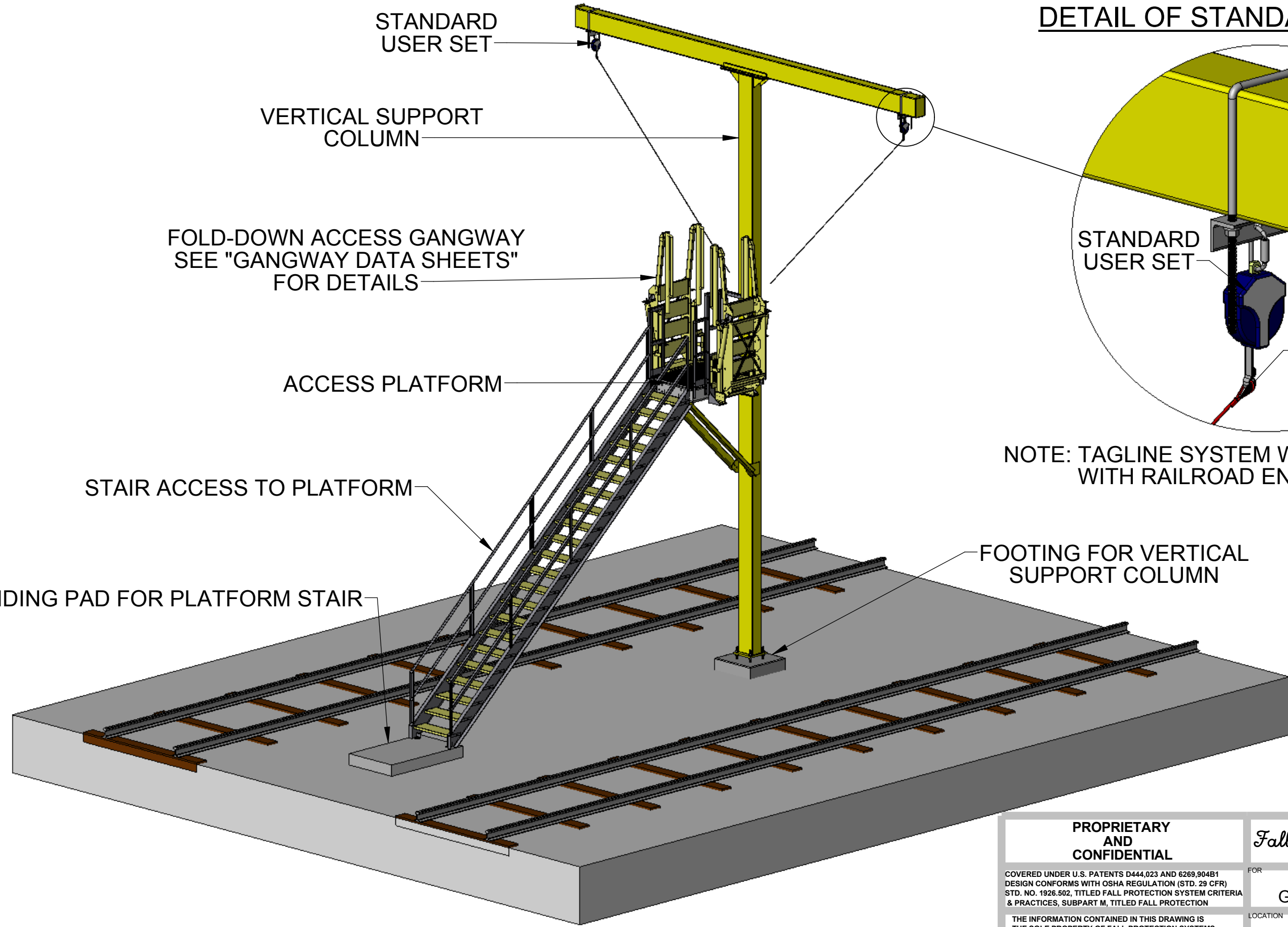


STANDARD USER SET

TAGLINE

NOTE: TAGLINE SYSTEM WILL NOT INTERFERE WITH RAILROAD ENVELOPE.

FOOTING FOR VERTICAL SUPPORT COLUMN



PROPRIETARY AND CONFIDENTIAL

COVERED UNDER U.S. PATENTS D444,023 AND 6269,904B1
DESIGN CONFORMS WITH OSHA REGULATION (STD. 29 CFR)
STD. NO. 1926.502, TITLED FALL PROTECTION SYSTEM CRITERIA
& PRACTICES, SUBPART M, TITLED FALL PROTECTION

THE INFORMATION CONTAINED IN THIS DRAWING IS THE SOLE PROPERTY OF FALL PROTECTION SYSTEMS. ANY REPRODUCTION IN PART OR AS A WHOLE WITHOUT THE WRITTEN PERMISSION OF FALL PROTECTION SYSTEMS IS PROHIBITED.

DO NOT SCALE DRAWING

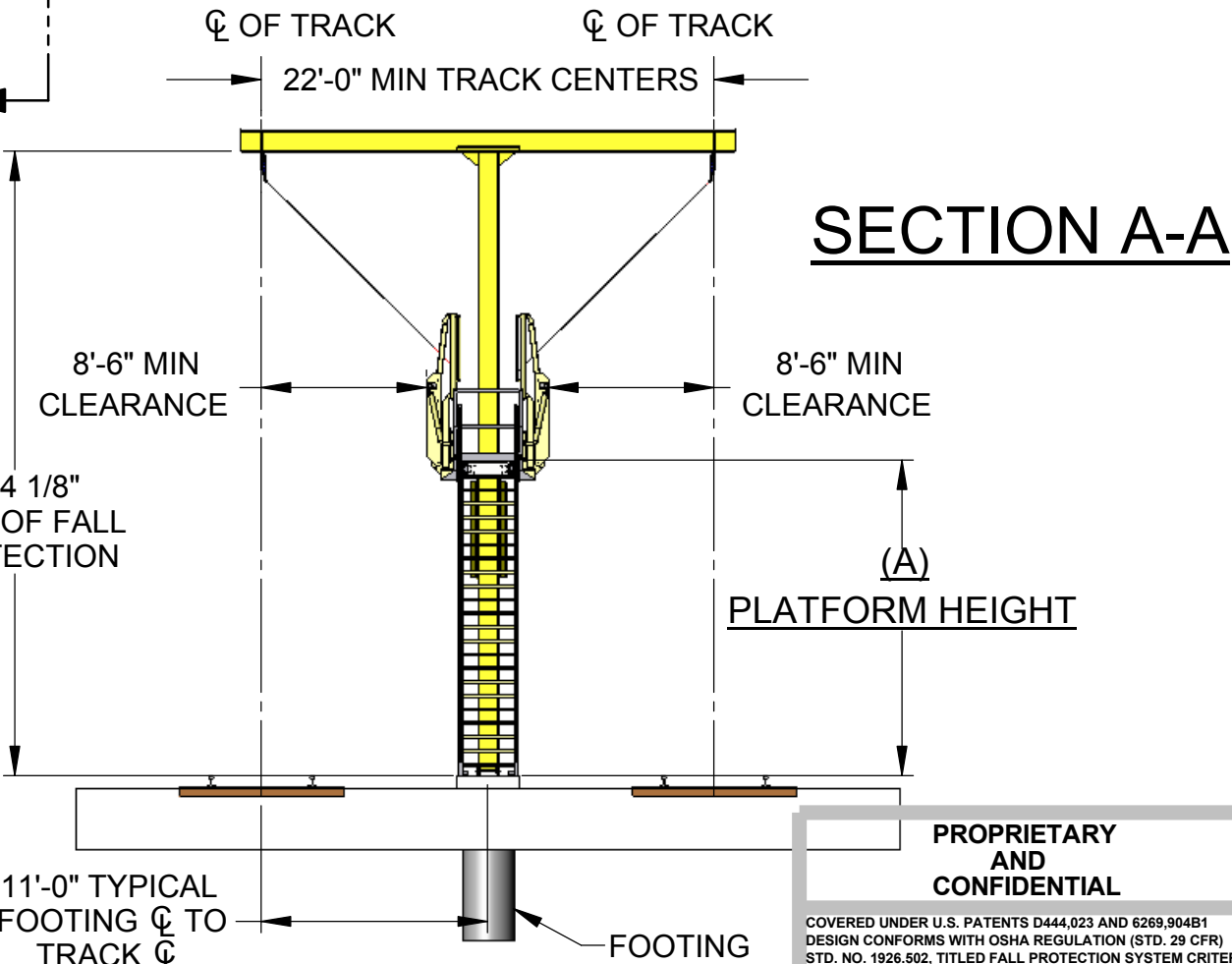
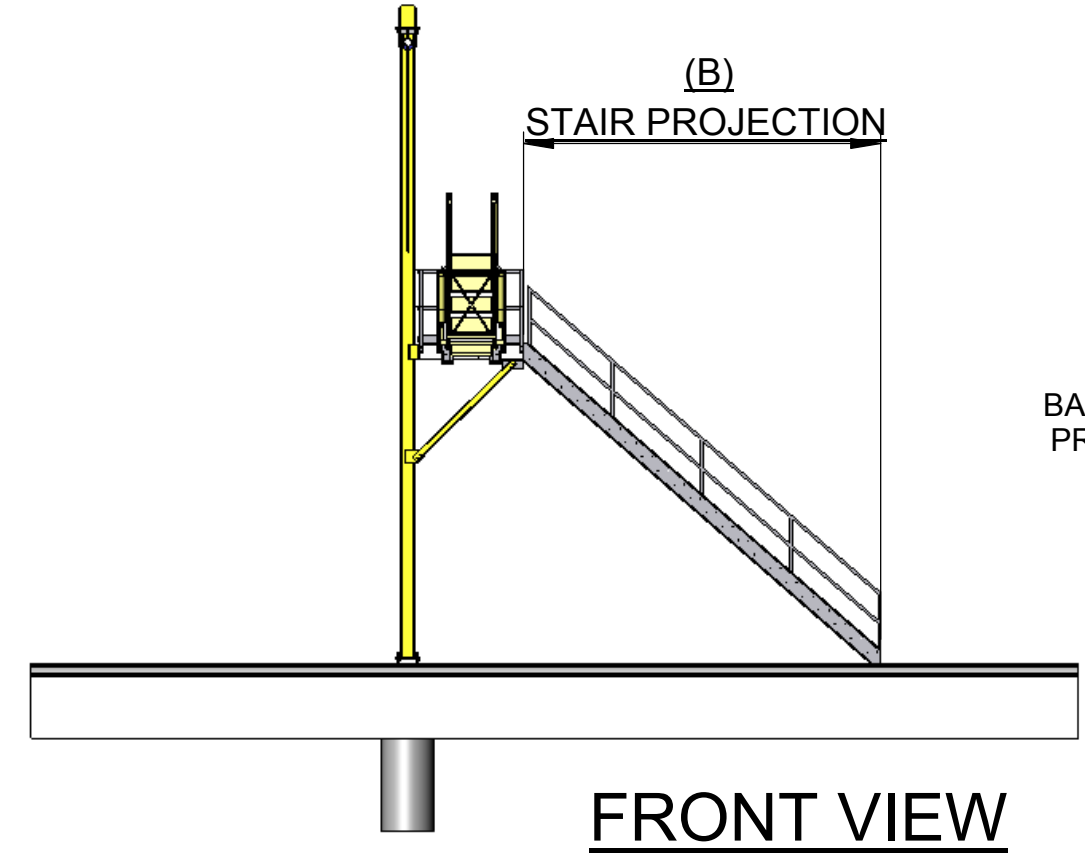
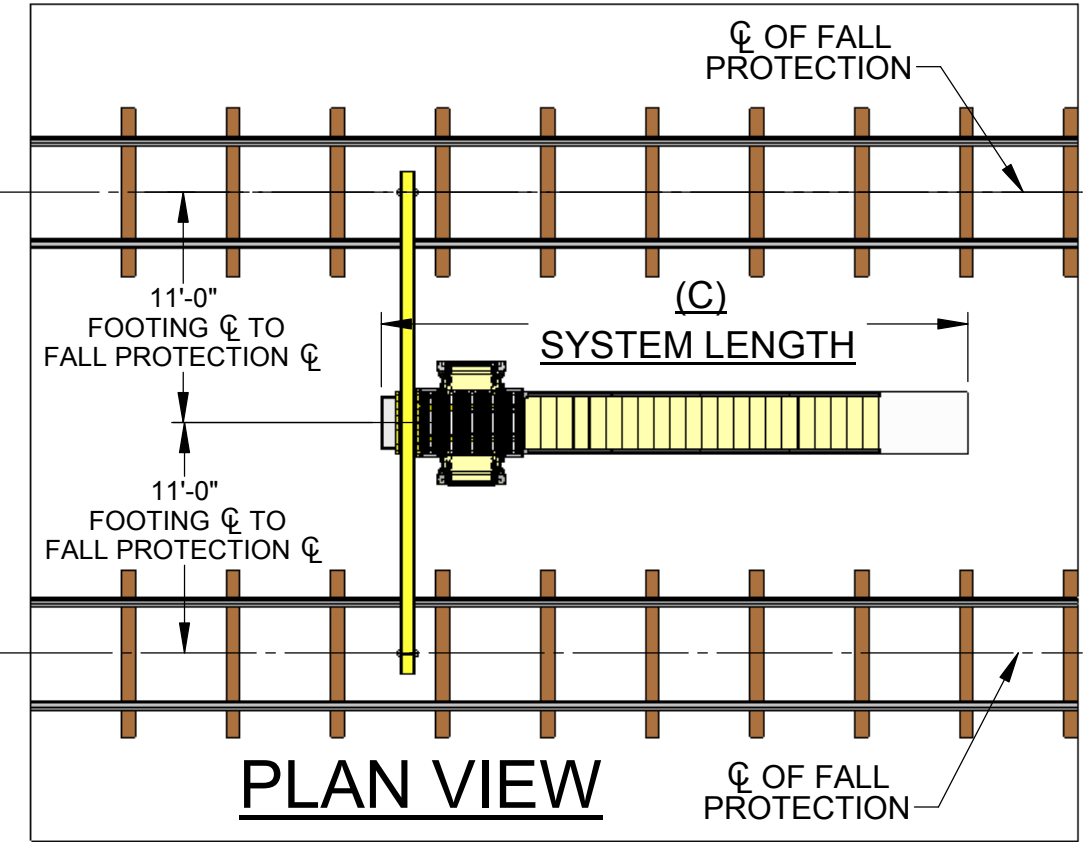
Fall Protection Systems FPS

FOR **TWIN AR-SPH
GENERAL ARRANGEMENT**

LOCATION			
SIZE	Quote No.	Job No.	Date
B	Drawn by	Rev.	Date

FIG A. SYSTEM HEIGHTS AND PROJECTIONS

(A) PLATFORM HEIGHT	(B) STAIR STRINGER PROJECTION	(C) OVERALL SYSTEM LENGTH	CENTERLINE OF FOOTING TO CENTERLINE OF LANDING PAD
15'-4"	17'-0"	28'-2"	24'-5"
14'-8"	16'-3"	27'-5"	23'-8"
14'-0"	15'-6"	26'-8"	22'-11"
13'-4"	14'-9"	25'-10"	22'-2"
12'-8"	14'-0"	25'-1"	21'-4"
12'-0"	13'-3"	24'-4"	20'-7"
11'-4"	12'-4"	23'-7"	19'-10"



PROPRIETARY AND CONFIDENTIAL

COVERED UNDER U.S. PATENTS D444,023 AND 6269,904B1
 DESIGN CONFORMS WITH OSHA REGULATION (STD. 29 CFR)
 STD. NO. 1926.502, TITLED FALL PROTECTION SYSTEM CRITERIA
 & PRACTICES, SUBPART M, TITLED FALL PROTECTION

THE INFORMATION CONTAINED IN THIS DRAWING IS
 THE SOLE PROPERTY OF FALL PROTECTION SYSTEMS.
 ANY REPRODUCTION IN PART OR AS A WHOLE WITHOUT
 THE WRITTEN PERMISSION OF FALL PROTECTION SYSTEMS
 IS PROHIBITED.

DO NOT SCALE DRAWING

Fall Protection Systems FPS

FOR
**TWIN AR-SPH
 GENERAL ARRANGEMENT**

LOCATION

SIZE **B** Quote No. Job No. Date
 Drawn by Rev. Date

SHEET 2 / 2