

54'-0" TRI-TRUSS FALL PROTECTION

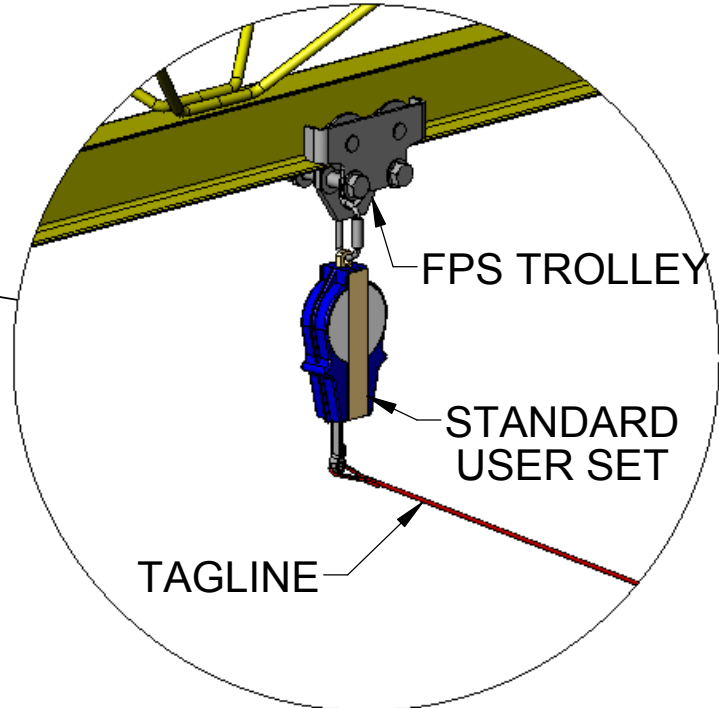
54'-0" TRI-TRUSS FALL PROTECTION

STANDARD USER SET

DETAIL OF STANDARD USER SET

FOLD-DOWN ACCESS GANGWAY
SEE "GANGWAY DATA SHEETS"
FOR DETAILS

VERTICAL SUPPORT COLUMN



FPS TROLLEY

STANDARD USER SET

TAGLINE

ACCESS PLATFORM

FOOTING FOR VERTICAL SUPPORT COLUMN

NOTE: TAGLINE SYSTEM WILL NOT INTERFERE WITH RAILROAD ENVELOPE.

STAIR ACCESS TO PLATFORM

LANDING PAD FOR PLATFORM STAIR

<p>PROPRIETARY AND CONFIDENTIAL</p> <p>COVERED UNDER U.S. PATENTS D444,023 AND 6269,904B1 DESIGN CONFORMS WITH OSHA REGULATION (STD. 29 CFR) STD. NO. 1926.502, TITLED FALL PROTECTION SYSTEM CRITERIA & PRACTICES, SUBPART M, TITLED FALL PROTECTION</p> <p>THE INFORMATION CONTAINED IN THIS DRAWING IS THE SOLE PROPERTY OF FALL PROTECTION SYSTEMS. ANY REPRODUCTION IN PART OR AS A WHOLE WITHOUT THE WRITTEN PERMISSION OF FALL PROTECTION SYSTEMS IS PROHIBITED.</p> <p>DO NOT SCALE DRAWING</p>	<p><i>Fall Protection Systems FPS</i></p>	
	<p>FOR TWIN AR-60 GENERAL ARRANGEMENT</p>	
<p>LOCATION _____</p>		
<p>SIZE B</p>	<p>Quote No. _____</p>	<p>Job No. _____</p>
<p>Drawn by _____</p>	<p>Rev. _____</p>	<p>Date _____</p>
		<p>SHEET 1 / 2</p>

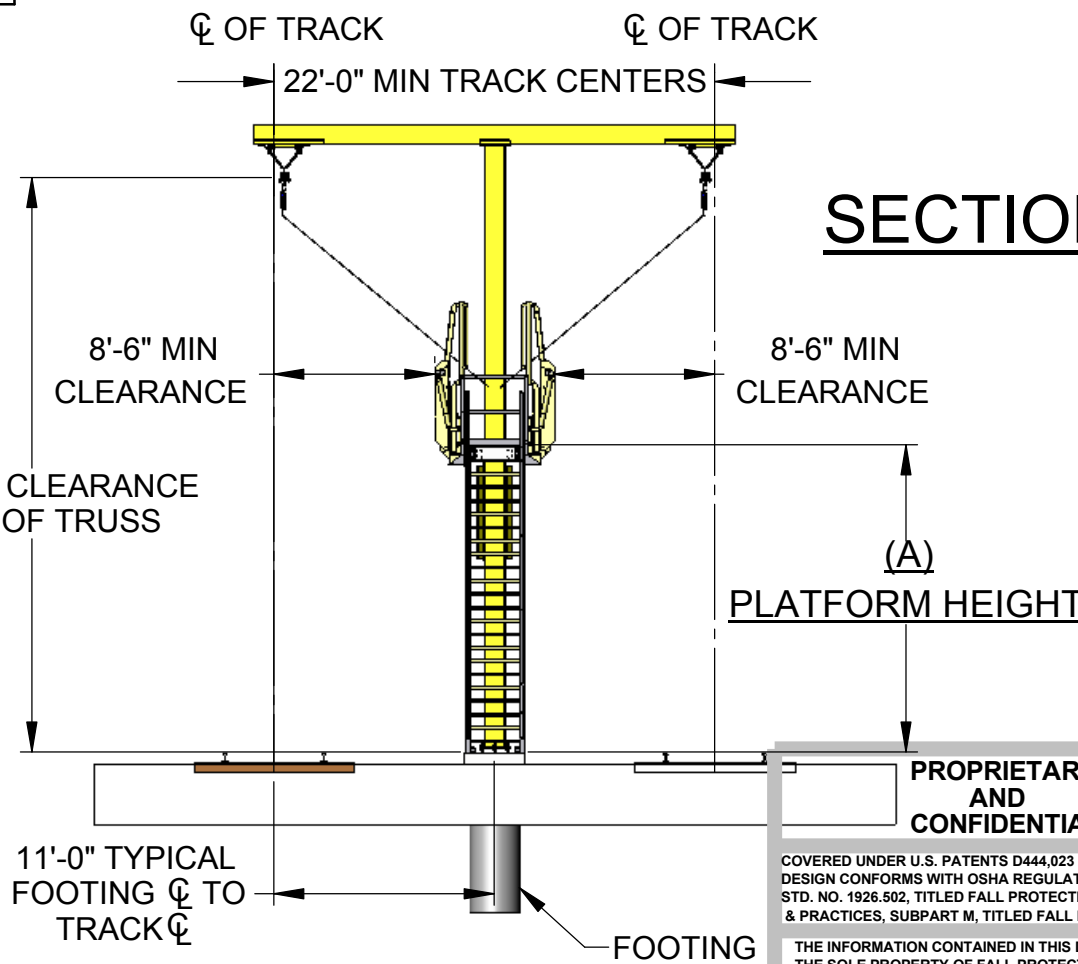
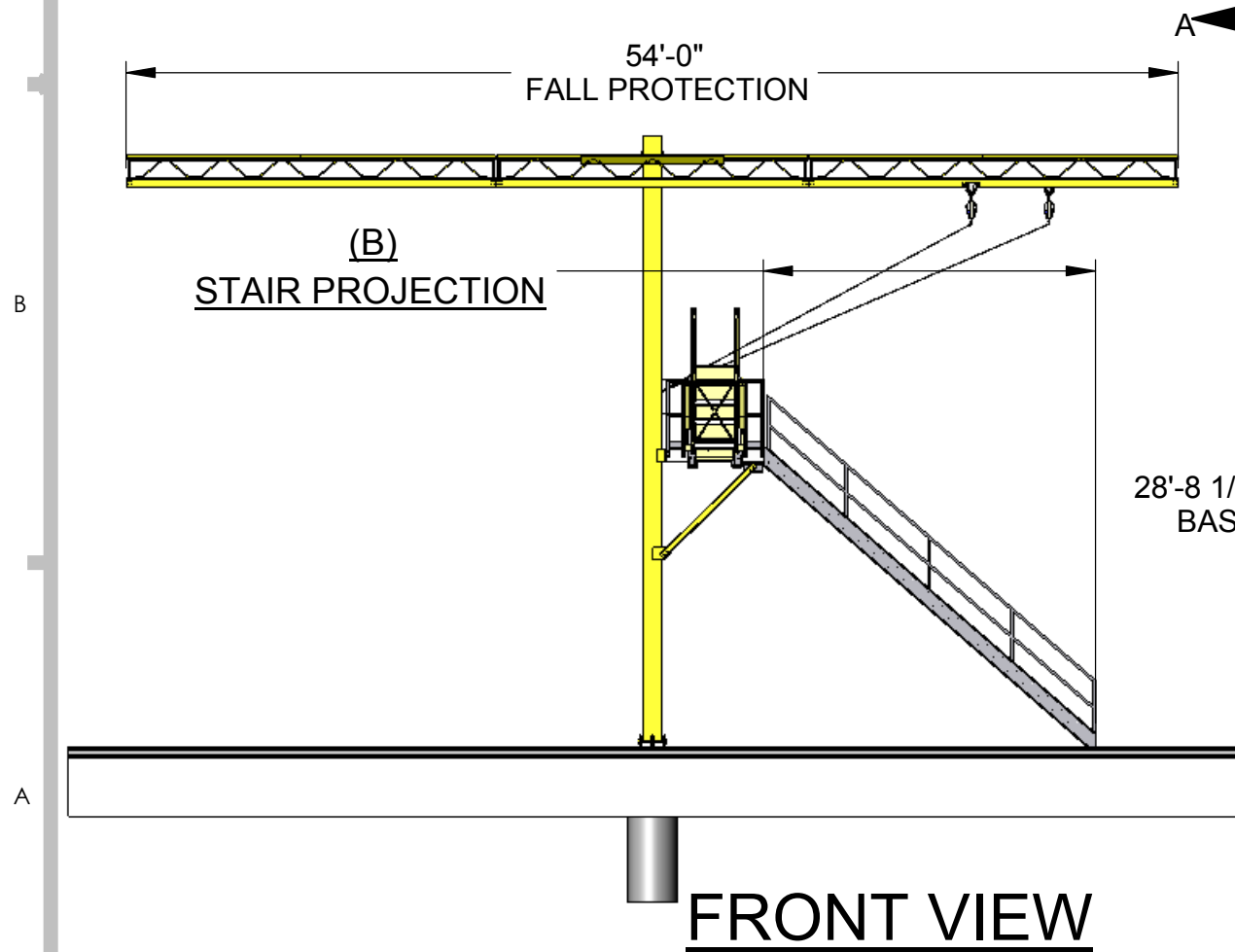
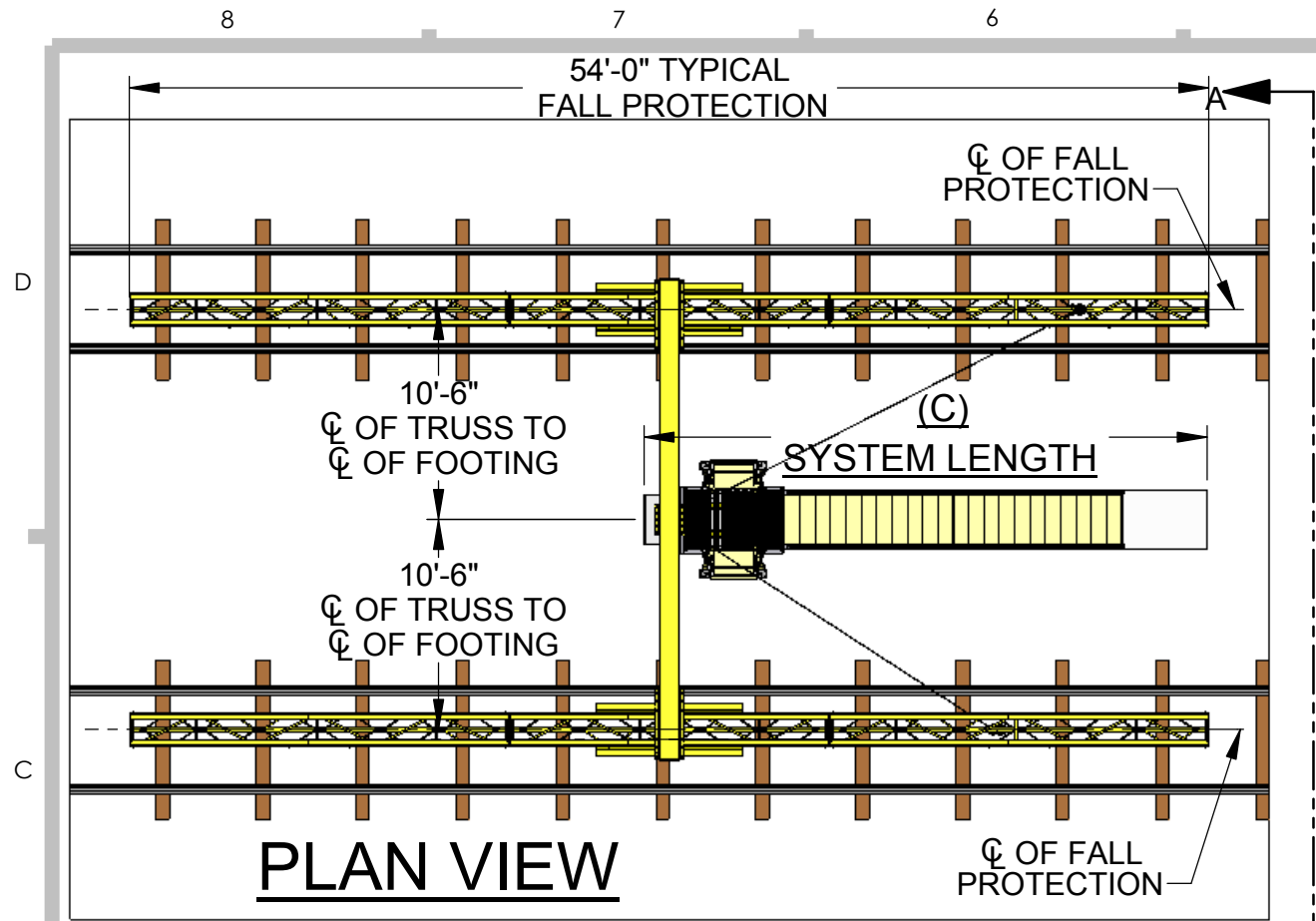


FIG A.
SYSTEM HEIGHTS AND PROJECTIONS

(A) PLATFORM HEIGHT	(B) STAIR STRINGER PROJECTION	(C) OVERALL SYSTEM LENGTH	CENTERLINE OF FOOTING TO CENTERLINE OF LANDING PAD
15'-4"	17'-0"	28'-2"	24'-5"
14'-8"	16'-3"	27'-5"	23'-8"
14'-0"	15'-6"	26'-8"	22'-11"
13'-4"	14'-9"	25'-10"	22'-2"
12'-8"	14'-0"	25'-1"	21'-4"
12'-0"	13'-3"	24'-4"	20'-7"
11'-4"	12'-4"	23'-7"	19'-10"

PROPRIETARY AND CONFIDENTIAL

COVERED UNDER U.S. PATENTS D444,023 AND 6269,904B1
DESIGN CONFORMS WITH OSHA REGULATION (STD. 29 CFR) STD. NO. 1926.502, TITLED FALL PROTECTION SYSTEM CRITERIA & PRACTICES, SUBPART M, TITLED FALL PROTECTION

THE INFORMATION CONTAINED IN THIS DRAWING IS THE SOLE PROPERTY OF FALL PROTECTION SYSTEMS. ANY REPRODUCTION IN PART OR AS A WHOLE WITHOUT THE WRITTEN PERMISSION OF FALL PROTECTION SYSTEMS IS PROHIBITED.

DO NOT SCALE DRAWING

Fall Protection Systems FPS

FOR **TWIN AR-60 GENERAL ARRANGEMENT**

LOCATION

SIZE **B** Quote No. Job No. Date

Drawn by Rev. Date

SHEET 2 / 2