

DETAIL OF SELF RETRACTING LIFELINE (SRL)

STANDARD USER SET

VERTICAL SUPPORT COLUMN

FOOTING FOR VERTICAL SUPPORT COLUMN

STANDARD USER SET

TAGLINE

UBOLT MOUNT FOR SRL

NOTE: TAGLINE WILL NOT INTERFERE WITH THE RAILROAD ENVELOPE

PROPRIETARY AND CONFIDENTIAL

Fall Protection Systems FPS

COVERED UNDER U.S. PATENTS D444,033 AND 5293,564B1
DESIGN CONFORMS WITH OSHA REGULATION (STD. 29 CFR) STD. NO. 1926.502, TITLED FALL PROTECTION SYSTEM CRITERIA & PRACTICES, SUBPART M, TITLED FALL PROTECTION

FOR T-SPH GENERAL ARRANGEMENT

THE INFORMATION CONTAINED IN THIS DRAWING IS THE SOLE PROPERTY OF FALL PROTECTION SYSTEMS. ANY REPRODUCTION IN PART OR AS A WHOLE WITHOUT THE WRITTEN PERMISSION OF FALL PROTECTION SYSTEMS IS PROHIBITED.

LOCATION: _____
DATE: _____
JOB NO: _____
DATE: _____
DRAWN BY: _____
REV: _____
DATE: _____

DO NOT SCALE DRAWING

SIZE B

SHEET 1 / 2

8 7 6 5 4 3 2 1

DETAIL OF SELF RETRACTING LIFELINE (SRL)

STANDARD USER SET

VERTICAL SUPPORT COLUMN

FOOTING FOR VERTICAL SUPPORT COLUMN

UBOLT MOUNT FOR SRL

STANDARD USER SET

TAGLINE

NOTE: TAGLINE WILL NOT INTERFERE WITH THE RAILROAD ENVELOPE

PROPRIETARY AND CONFIDENTIAL

COVERED UNDER U.S. PATENTS D444,023 AND 6269,904B1
DESIGN CONFORMS WITH OSHA REGULATION (STD. 29 CFR)
STD. NO. 1926.502, TITLED FALL PROTECTION SYSTEM CRITERIA
& PRACTICES, SUBPART M, TITLED FALL PROTECTION

THE INFORMATION CONTAINED IN THIS DRAWING IS THE SOLE PROPERTY OF FALL PROTECTION SYSTEMS. ANY REPRODUCTION IN PART OR AS A WHOLE WITHOUT THE WRITTEN PERMISSION OF FALL PROTECTION SYSTEMS IS PROHIBITED.

DO NOT SCALE DRAWING

Fall Protection Systems FPS

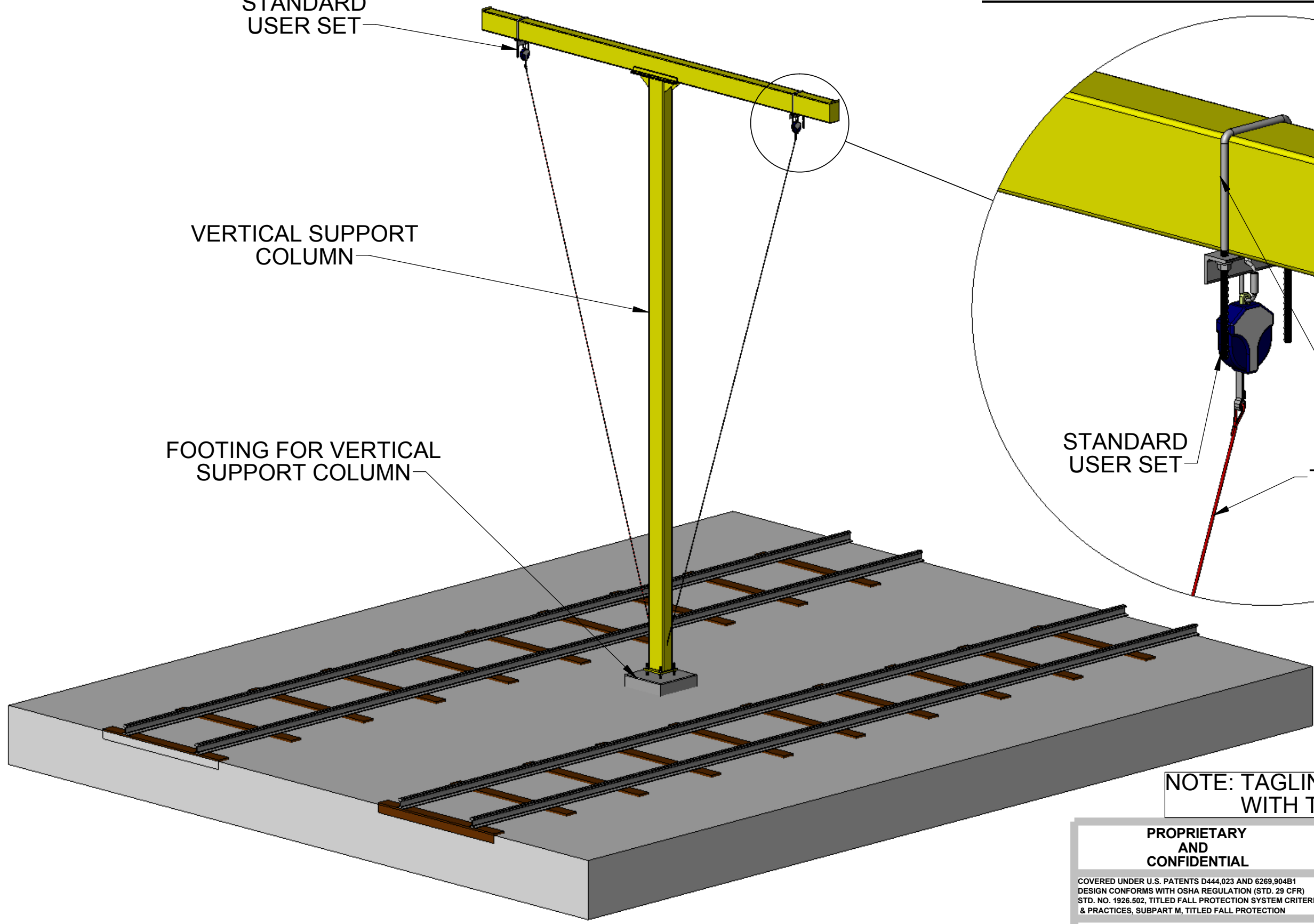
FOR
**T-SPH
GENERAL ARRANGEMENT**

LOCATION			
SIZE	Quote No.	Job No.	Date
B	Drawn by	Rev.	Date

8 7 6 5 4 3 2 1

D
C
B
A

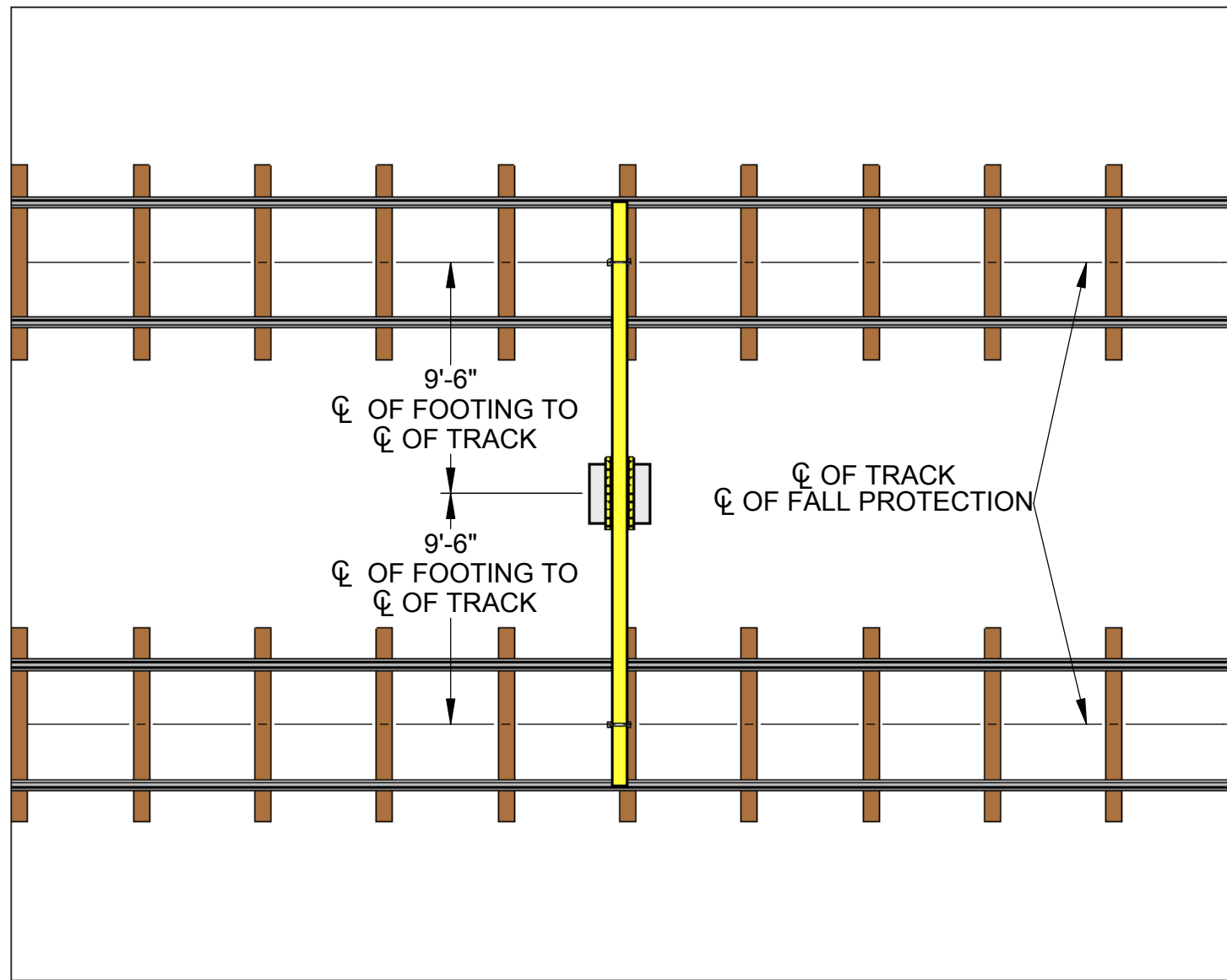
D
C
B
A



8 7 6 5 4 3 2 1

D C B A

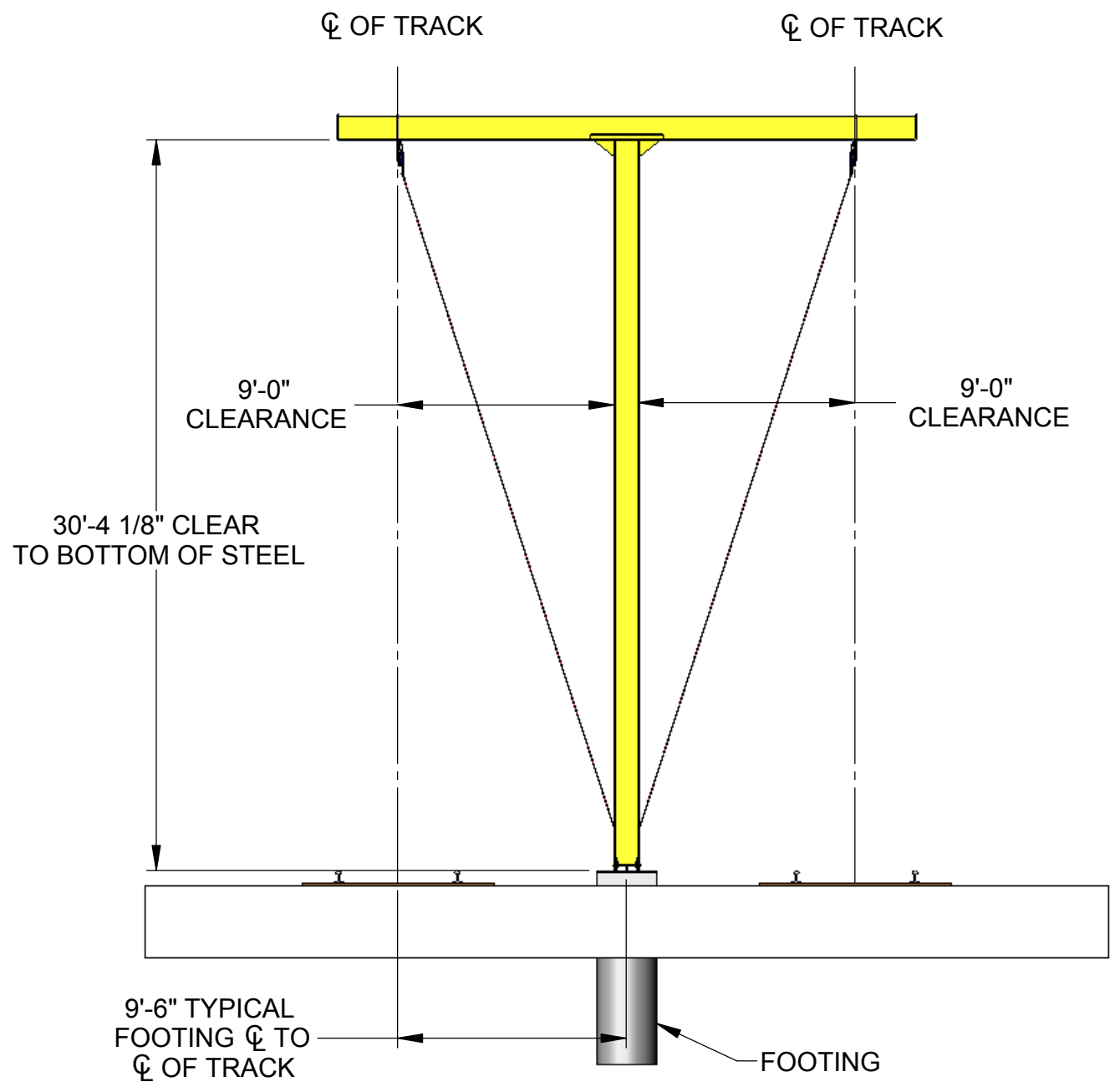
PLAN VIEW



A

A

SECTION A-A



D C B A

<p>PROPRIETARY AND CONFIDENTIAL</p> <p>COVERED UNDER U.S. PATENTS D444,023 AND 6269,904B1 DESIGN CONFORMS WITH OSHA REGULATION (STD. 29 CFR) STD. NO. 1926.502, TITLED FALL PROTECTION SYSTEM CRITERIA & PRACTICES, SUBPART M, TITLED FALL PROTECTION</p> <p>THE INFORMATION CONTAINED IN THIS DRAWING IS THE SOLE PROPERTY OF FALL PROTECTION SYSTEMS. ANY REPRODUCTION IN PART OR AS A WHOLE WITHOUT THE WRITTEN PERMISSION OF FALL PROTECTION SYSTEMS IS PROHIBITED.</p> <p>DO NOT SCALE DRAWING</p>	<p><i>Fall Protection Systems FPS</i></p>
	<p>FOR</p> <p>T-SPH GENERAL ARRANGEMENT</p>
<p>LOCATION</p>	<p>SIZE</p> <p>B</p>
<p>Quote No. _____</p> <p>Job No. _____</p> <p>Rev. _____</p> <p>Date _____</p>	<p>Date _____</p> <p>SHEET 2 / 2</p>

8 7 6 5 4 3 2 1