

8 7 6 5 4 3 2 1

DETAIL OF STANDARD USER SET

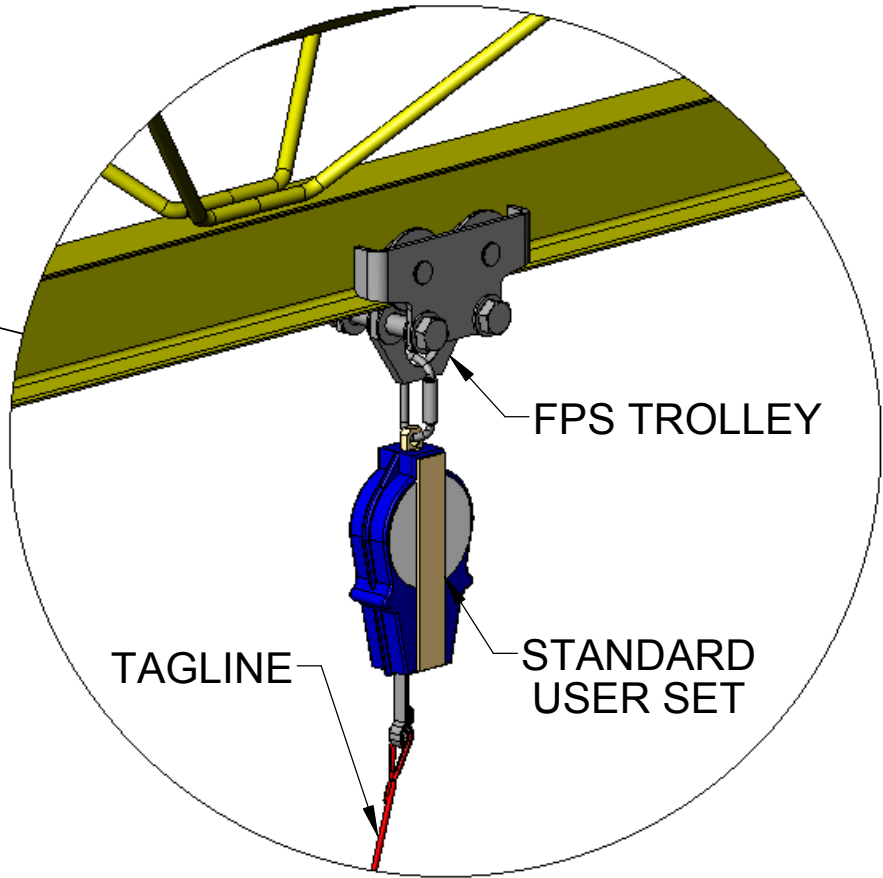
54'-0" TRI-TRUSS FALL PROTECTION

STANDARD USER SET

54'-0" TRI-TRUSS FALL PROTECTION

VERTICAL SUPPORT COLUMN

FOOTING FOR VERTICAL SUPPORT COLUMN



FPS TROLLEY

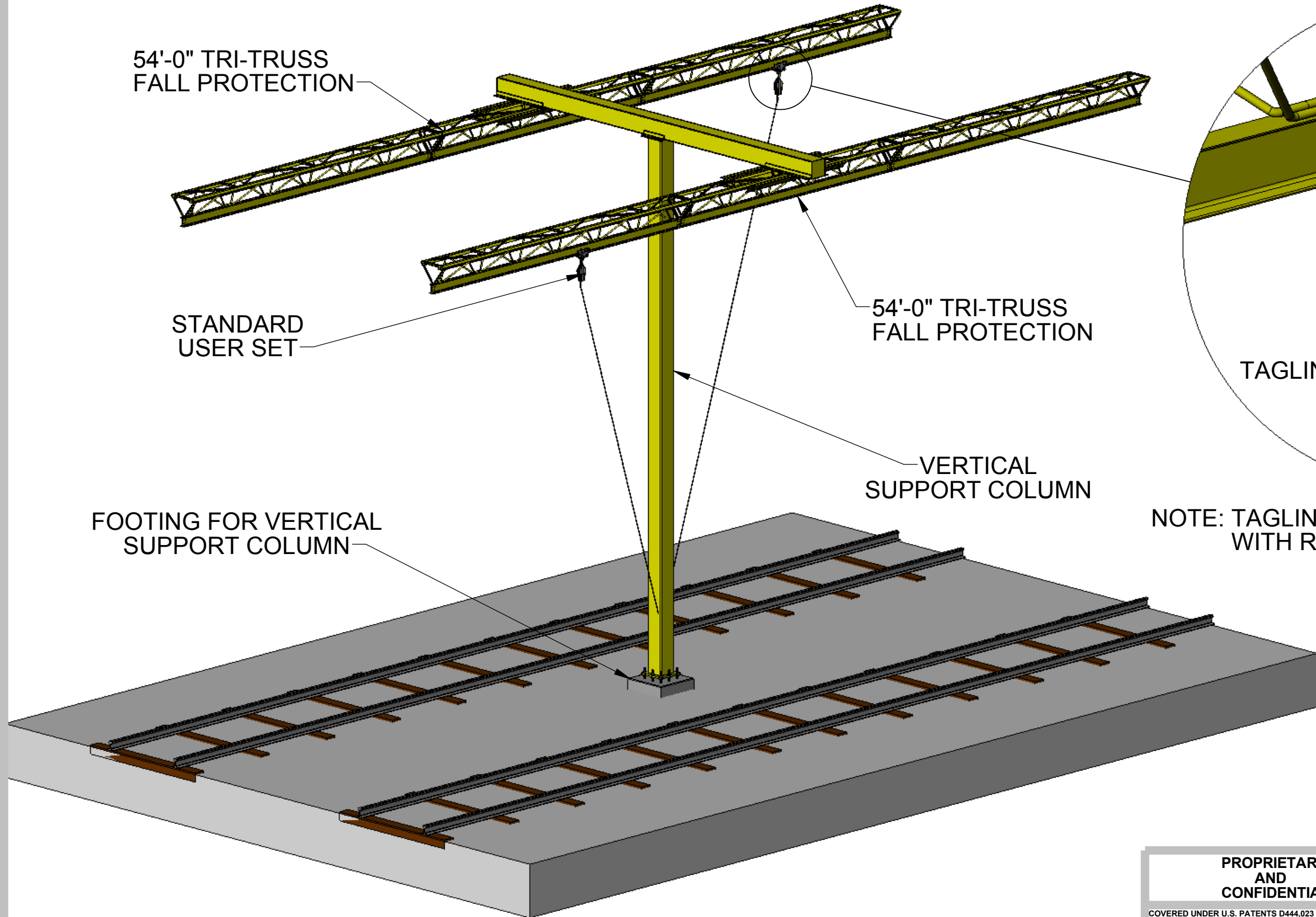
TAGLINE

STANDARD USER SET

NOTE: TAGLINE SYSTEM WILL NOT INTERFERE WITH RAILROAD ENVELOPE.

D
C
B
A

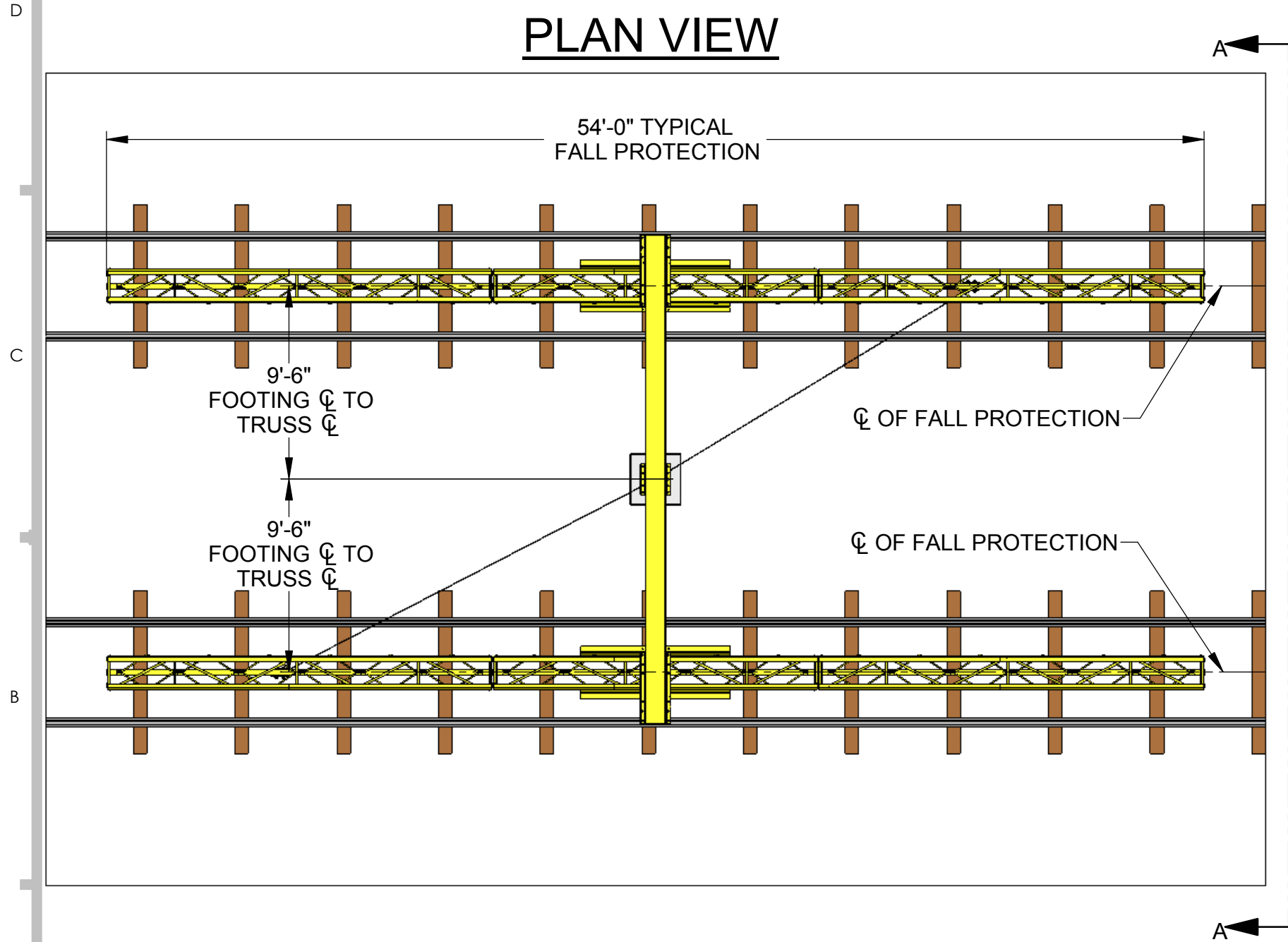
D
C
B
A



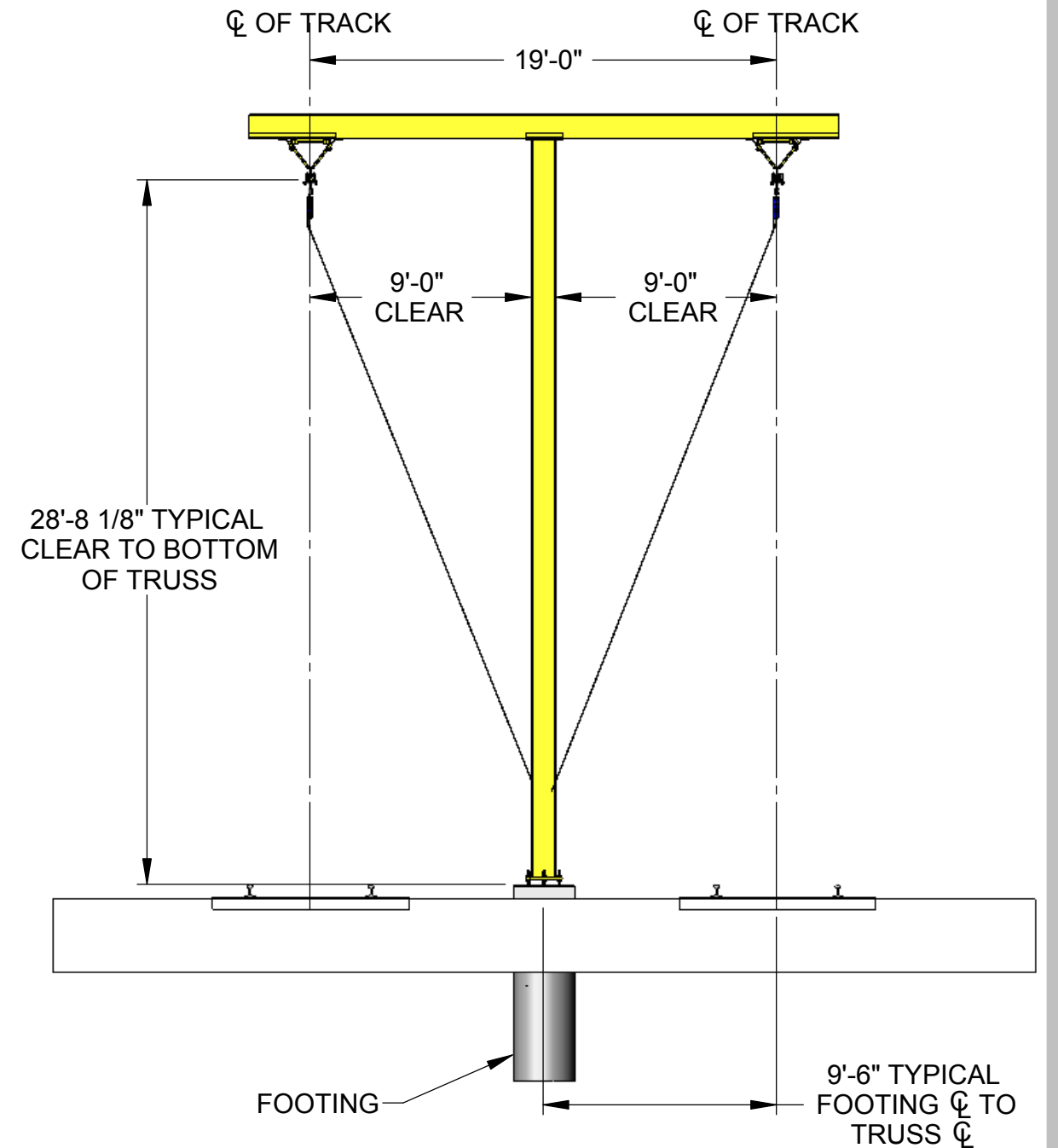
<p>PROPRIETARY AND CONFIDENTIAL</p> <p>COVERED UNDER U.S. PATENTS D444,023 AND 6269,904B1 DESIGN CONFORMS WITH OSHA REGULATION (STD. 29 CFR) STD. NO. 1926.502, TITLED FALL PROTECTION SYSTEM CRITERIA & PRACTICES, SUBPART M, TITLED FALL PROTECTION</p> <p>THE INFORMATION CONTAINED IN THIS DRAWING IS THE SOLE PROPERTY OF FALL PROTECTION SYSTEMS. ANY REPRODUCTION IN PART OR AS A WHOLE WITHOUT THE WRITTEN PERMISSION OF FALL PROTECTION SYSTEMS IS PROHIBITED.</p> <p>DO NOT SCALE DRAWING</p>	<p><i>Fall Protection Systems FPS</i></p>	
	<p>FOR T-60 GENERAL ARRANGEMENT</p>	
<p>LOCATION _____</p>		
<p>SIZE B</p>	<p>Quote No. _____</p>	<p>Job No. _____</p>
<p>Drawn by _____</p>	<p>Rev. _____</p>	<p>Date _____</p>
		<p>SHEET 1 / 2</p>

8 7 6 5 4 3 2 1

PLAN VIEW



SECTION A-A



<p>PROPRIETARY AND CONFIDENTIAL</p> <p>COVERED UNDER U.S. PATENTS D444,023 AND 6269,904B1 DESIGN CONFORMS WITH OSHA REGULATION (STD. 29 CFR) STD. NO. 1926.502, TITLED FALL PROTECTION SYSTEM CRITERIA & PRACTICES, SUBPART M, TITLED FALL PROTECTION</p> <p>THE INFORMATION CONTAINED IN THIS DRAWING IS THE SOLE PROPERTY OF FALL PROTECTION SYSTEMS. ANY REPRODUCTION IN PART OR AS A WHOLE WITHOUT THE WRITTEN PERMISSION OF FALL PROTECTION SYSTEMS IS PROHIBITED.</p> <p>DO NOT SCALE DRAWING</p>	<p>FOR</p> <p>T-60</p> <p>GENERAL ARRANGEMENT</p>
	<p>LOCATION</p> <p>SIZE B</p> <p>Quote No. _____ Job No. _____ Date _____</p> <p>Drawn by _____ Rev. _____ Date _____</p>

SHEET 2 / 2