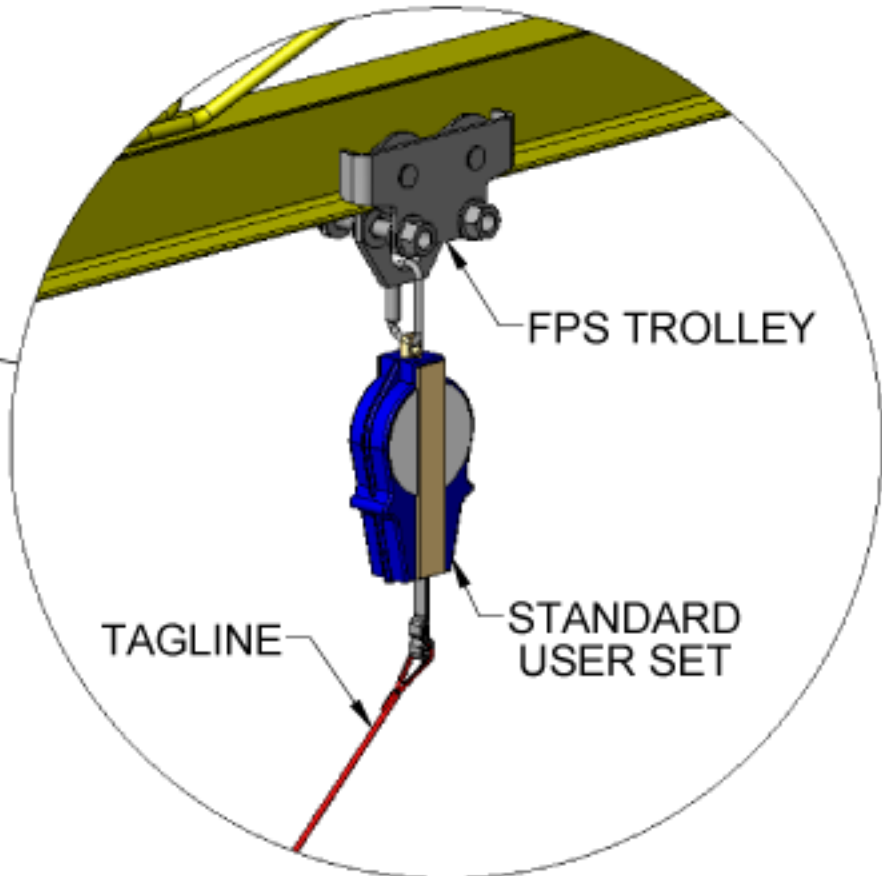


DETAIL OF STANDARD USER SET



NOTE: TAGLINE SYSTEM WILL NOT INTERFERE WITH RAILROAD ENVELOPE.

| | |
|---|---|
| <p>PROPRIETARY AND CONFIDENTIAL</p> <p>COVERED UNDER U.S. PATENTS D444,033 AND 5293,564B1 DESIGN CONFORMS WITH OSHA REGULATION (STD. 29 CFR) STD. NO. 1926.502, TITLED FALL PROTECTION SYSTEM CRITERIA & PRACTICES, SUBPART M, TITLED FALL PROTECTION</p> <p>THE INFORMATION CONTAINED IN THIS DRAWING IS THE SOLE PROPERTY OF FALL PROTECTION SYSTEMS. ANY REPRODUCTION IN PART OR AS A WHOLE WITHOUT THE WRITTEN PERMISSION OF FALL PROTECTION SYSTEMS IS PROHIBITED.</p> <p>DO NOT SCALE DRAWING</p> | <p><i>Fall Protection Systems FPS</i></p> |
| | <p>FOR T-40 GENERAL ARRANGEMENT</p> |
| <p>LOCATION</p> | <p>DATE No. Job No. Date</p> |
| <p>SIZE B</p> | <p>Drawn by Rev. Date</p> |
| | <p>SHEET 1 / 2</p> |

D

C

B

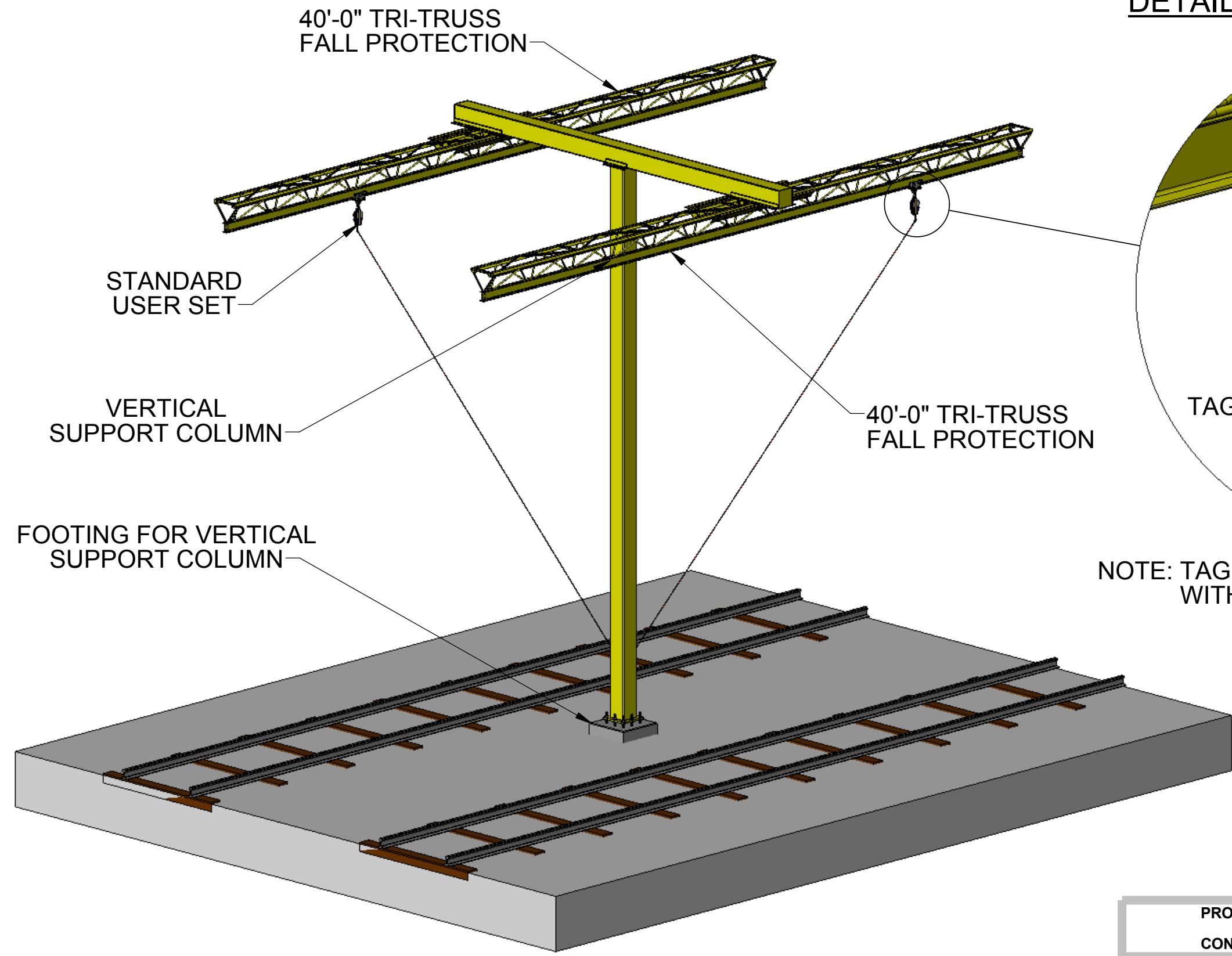
A

D

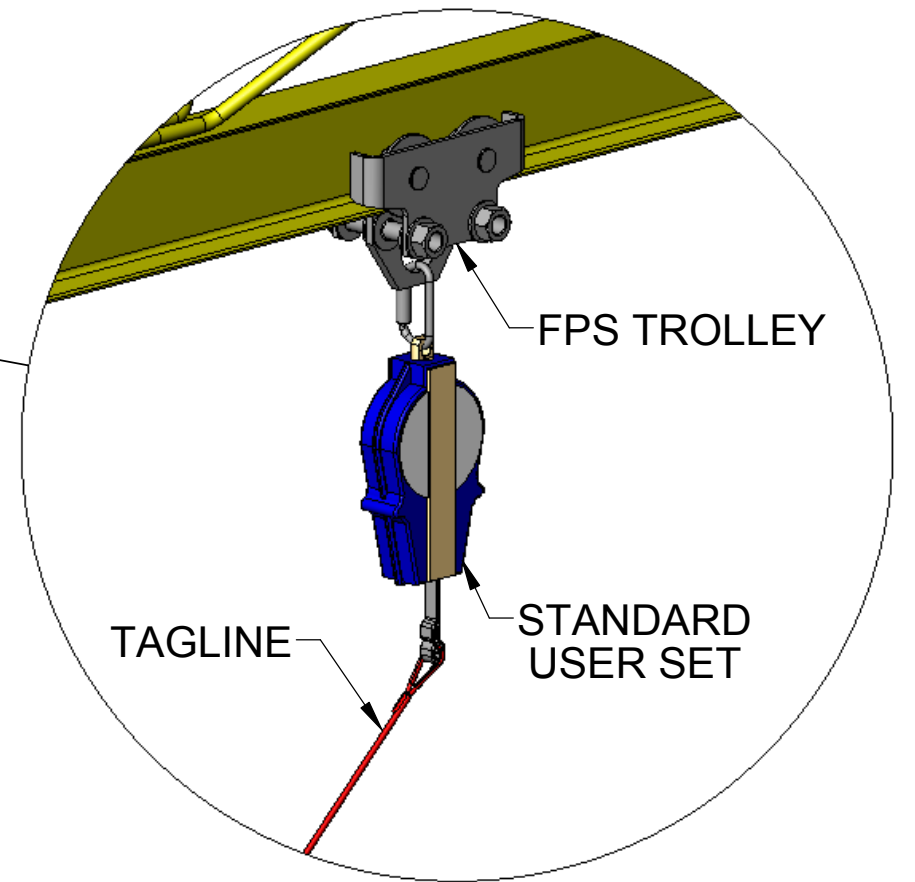
C

B

A



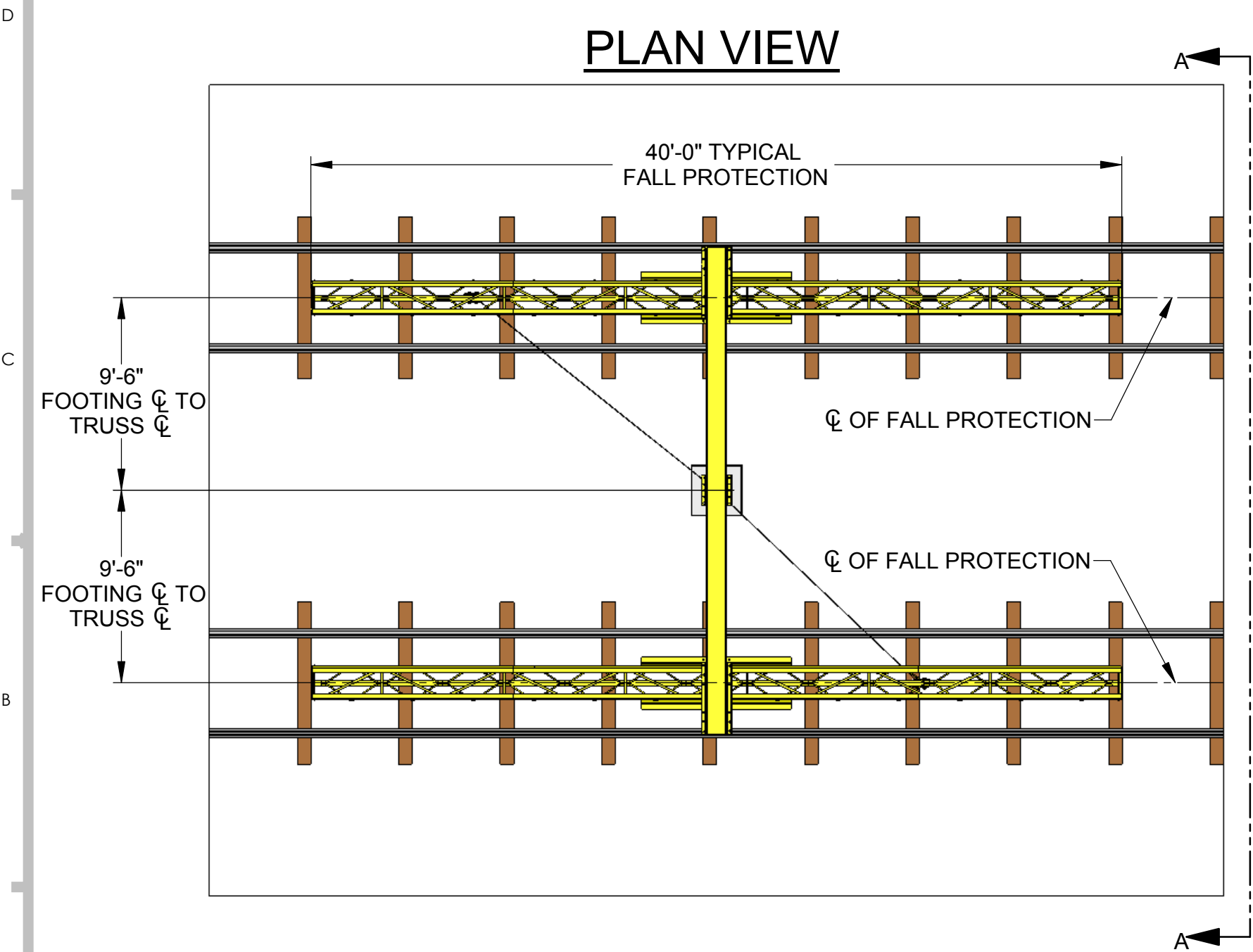
DETAIL OF STANDARD USER SET



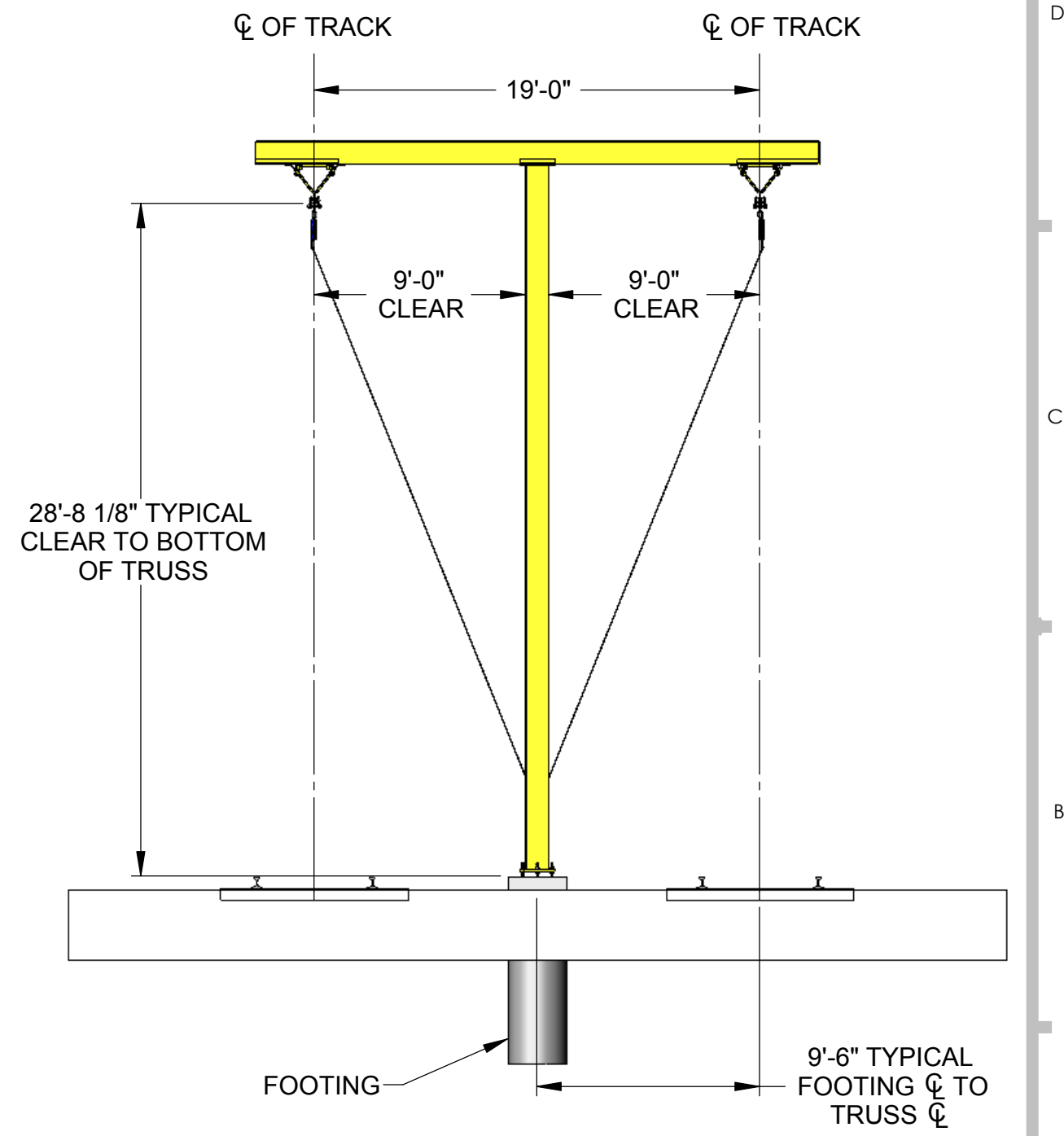
NOTE: TAGLINE SYSTEM WILL NOT INTERFERE WITH RAILROAD ENVELOPE.

| | | |
|---|---|----------------------|
| <p>PROPRIETARY AND CONFIDENTIAL</p> <p>COVERED UNDER U.S. PATENTS D444,023 AND 6269,904B1 DESIGN CONFORMS WITH OSHA REGULATION (STD. 29 CFR) STD. NO. 1926.502, TITLED FALL PROTECTION SYSTEM CRITERIA & PRACTICES, SUBPART M, TITLED FALL PROTECTION</p> <p>THE INFORMATION CONTAINED IN THIS DRAWING IS THE SOLE PROPERTY OF FALL PROTECTION SYSTEMS. ANY REPRODUCTION IN PART OR AS A WHOLE WITHOUT THE WRITTEN PERMISSION OF FALL PROTECTION SYSTEMS IS PROHIBITED.</p> <p>DO NOT SCALE DRAWING</p> | <p><i>Fall Protection Systems FPS</i></p> | |
| | <p>FOR T-40 GENERAL ARRANGEMENT</p> | |
| <p>LOCATION</p> | <p>Quote No. _____ Job No. _____ Date _____</p> | <p>SIZE B</p> |
| <p>Drawn by _____ Rev. _____ Date _____</p> | <p>SHEET 1 / 2</p> | |

PLAN VIEW



SECTION A-A



| | | |
|---|---|--|
| <p>PROPRIETARY AND CONFIDENTIAL</p> <p>COVERED UNDER U.S. PATENTS D444,023 AND 6269,904B1 DESIGN CONFORMS WITH OSHA REGULATION (STD. 29 CFR) STD. NO. 1926.502, TITLED FALL PROTECTION SYSTEM CRITERIA & PRACTICES, SUBPART M, TITLED FALL PROTECTION</p> <p>THE INFORMATION CONTAINED IN THIS DRAWING IS THE SOLE PROPERTY OF FALL PROTECTION SYSTEMS. ANY REPRODUCTION IN PART OR AS A WHOLE WITHOUT THE WRITTEN PERMISSION OF FALL PROTECTION SYSTEMS IS PROHIBITED.</p> <p>DO NOT SCALE DRAWING</p> | <p><i>Fall Protection Systems FPS</i></p> | |
| | <p>FOR</p> <p>T-40</p> <p>GENERAL ARRANGEMENT</p> | |
| <p>LOCATION</p> | | |
| <p>SIZE</p> <p>B</p> | <p>Quote No. _____</p> <p>Rev. _____</p> | <p>Job No. _____</p> <p>Date _____</p> |
| | | <p>SHEET 2 / 2</p> |