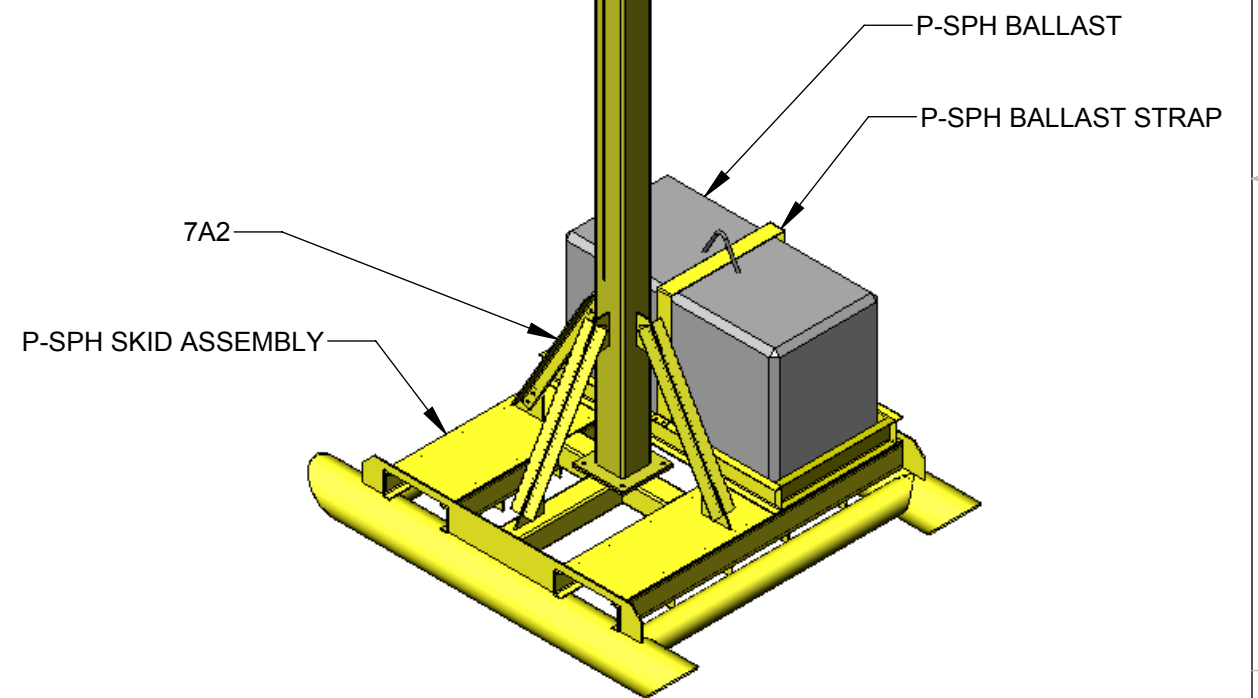
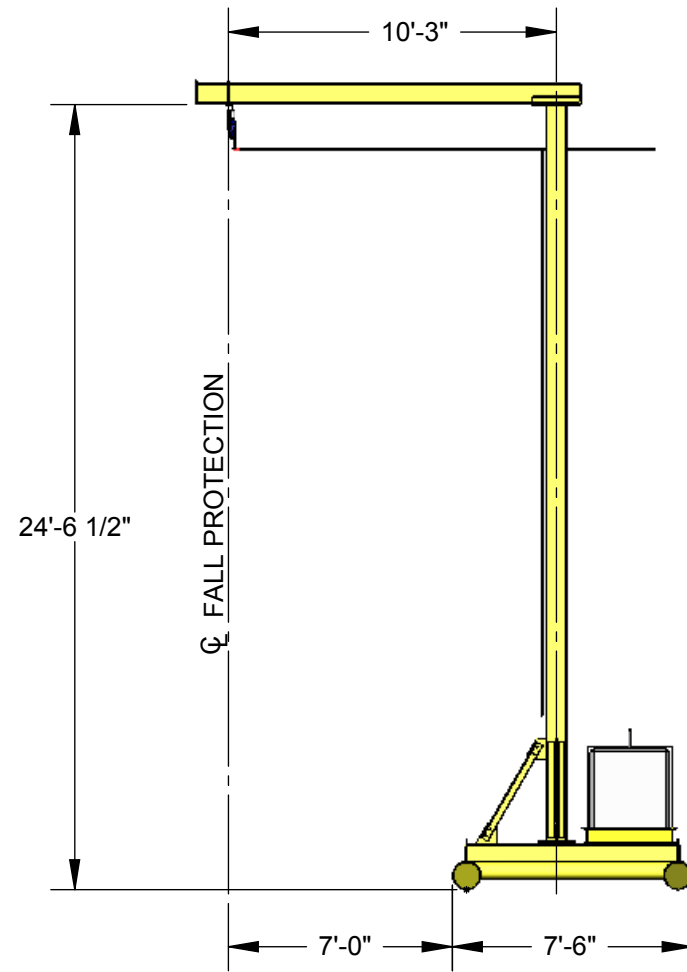
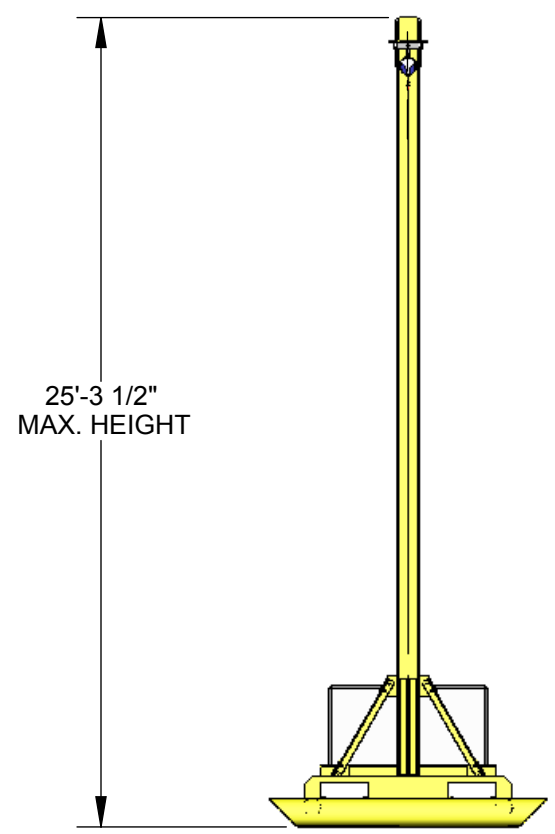
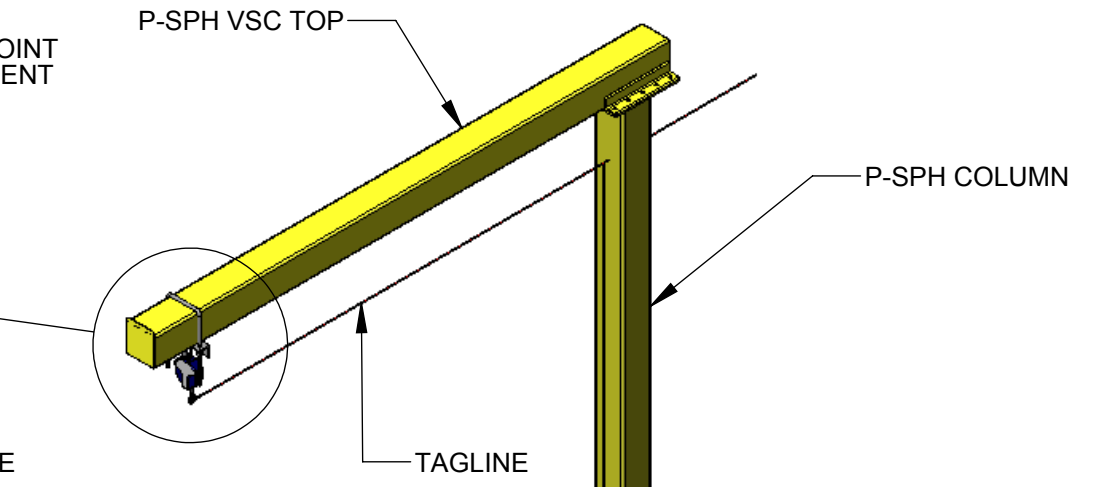
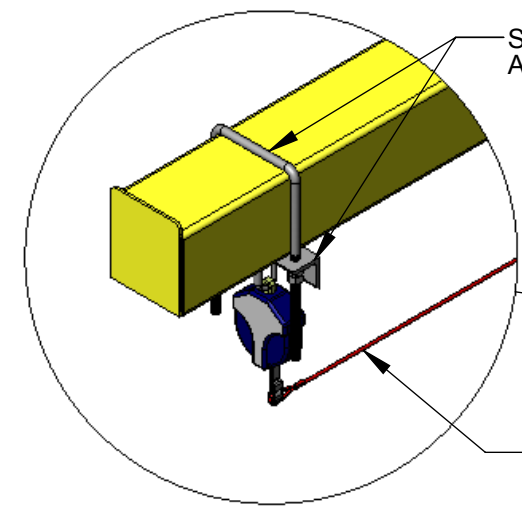
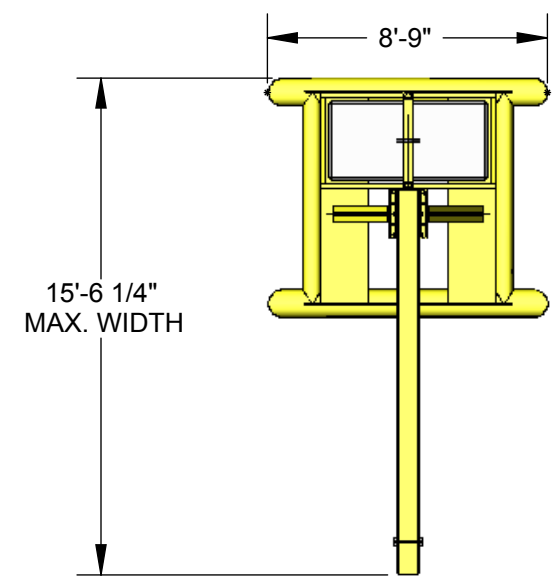


8 7 6 5 4 3 2 1



DIMENSIONS SUBJECT TO CHANGE


Rev.	Date
------	------

PROPRIETARY AND CONFIDENTIAL

COVERED UNDER U.S. PATENTS D444,023 AND 6269,904B1
 DESIGN CONFORMS WITH OSHA REGULATION (STD. 29 CFR)
 STD. NO. 1926.502, TITLED FALL PROTECTION SYSTEM CRITERIA
 & PRACTICES, SUBPART M, TITLED FALL PROTECTION

THE INFORMATION CONTAINED IN THIS DRAWING IS THE SOLE PROPERTY OF FALL PROTECTION SYSTEMS. ANY REPRODUCTION IN PART OR AS A WHOLE WITHOUT THE WRITTEN PERMISSION OF FALL PROTECTION SYSTEMS IS PROHIBITED.

DO NOT SCALE DRAWING

Fall Protection Systems 			
FOR POSSUM SPH GENERAL ARRANGEMENT			
LOCATION			
SIZE B	Quote No.	Job No.	SHEET 1 / 8
Drawn by MF-DA	Date 2-7-08		

8 7 6 5 4 3 2 1