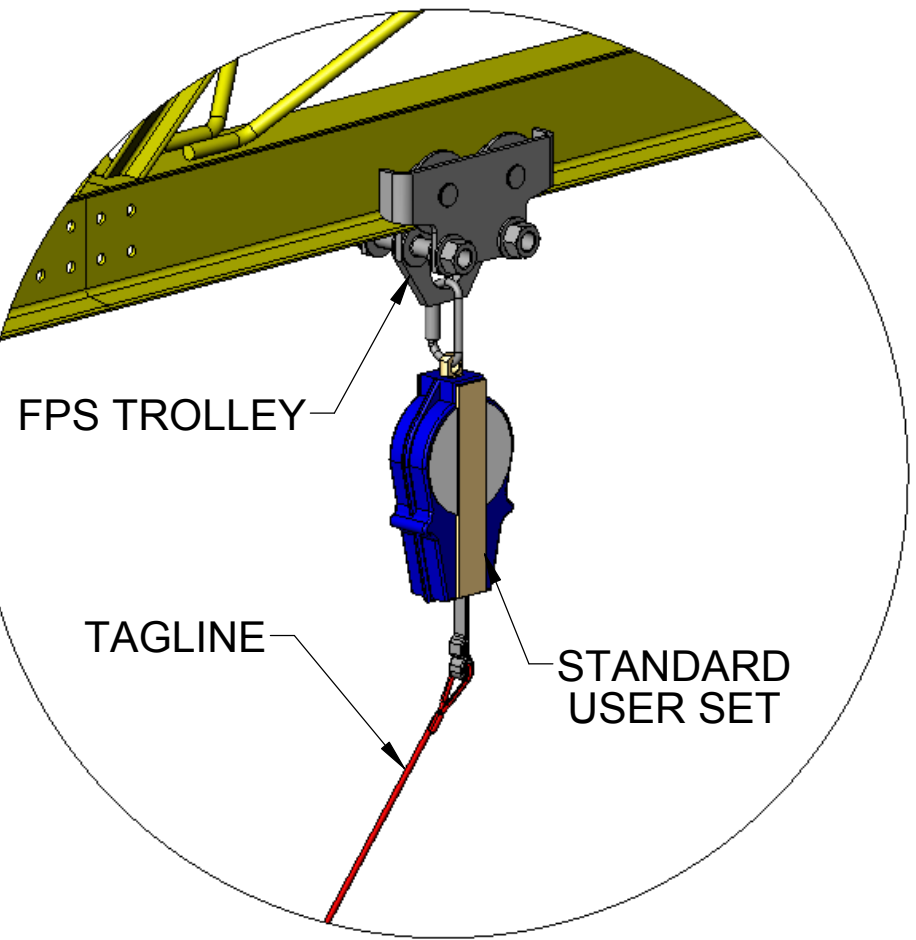


DETAIL OF STANDARD USER SET

VERTICAL SUPPORT COLUMN

54'-0" TRI-TRUSS FALL PROTECTION

FOOTING FOR VERTICAL SUPPORT COLUMN



FPS TROLLEY

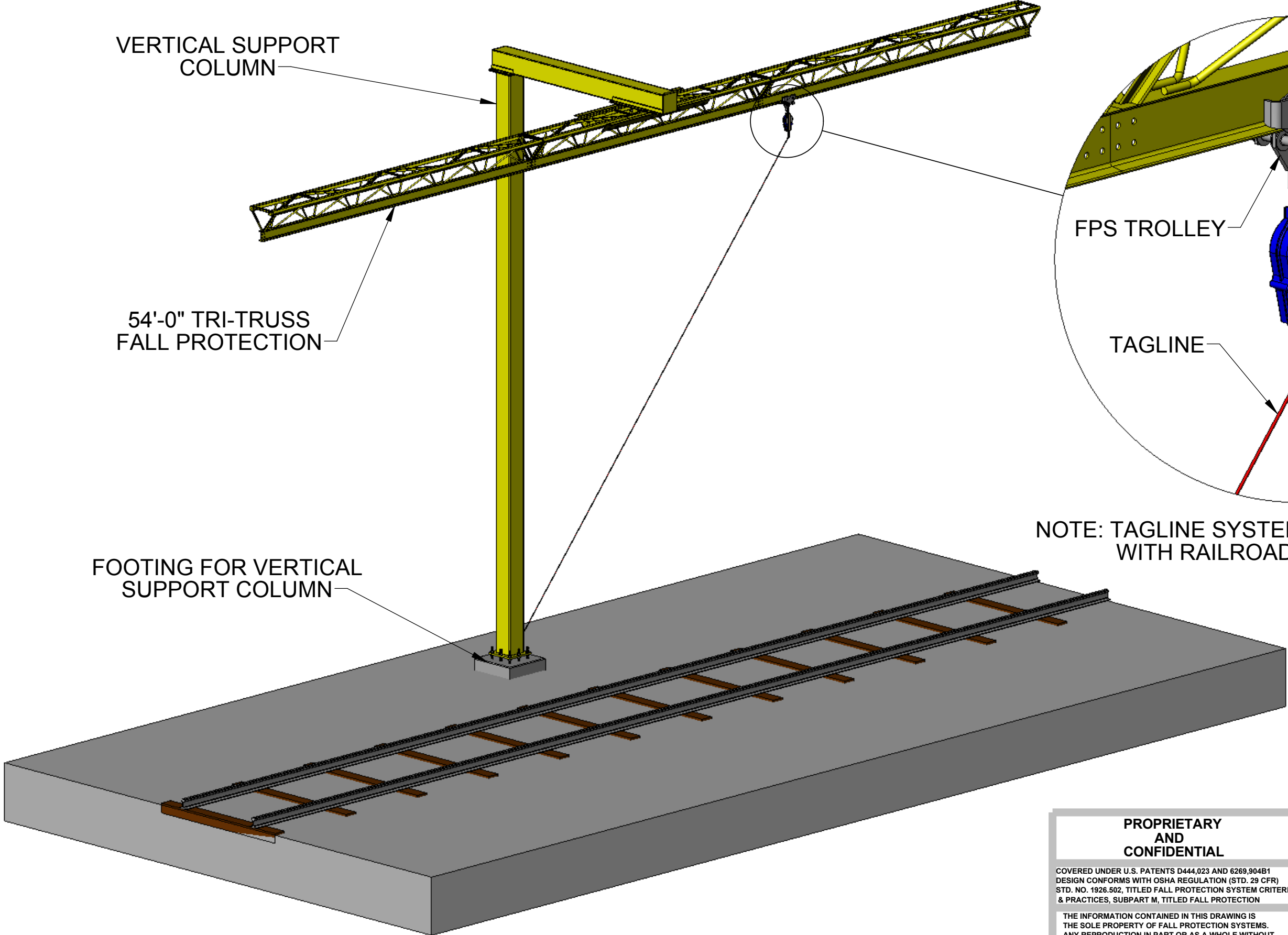
TAGLINE

STANDARD USER SET

NOTE: TAGLINE SYSTEM WILL NOT INTERFERE WITH RAILROAD ENVELOPE

D
C
B
A

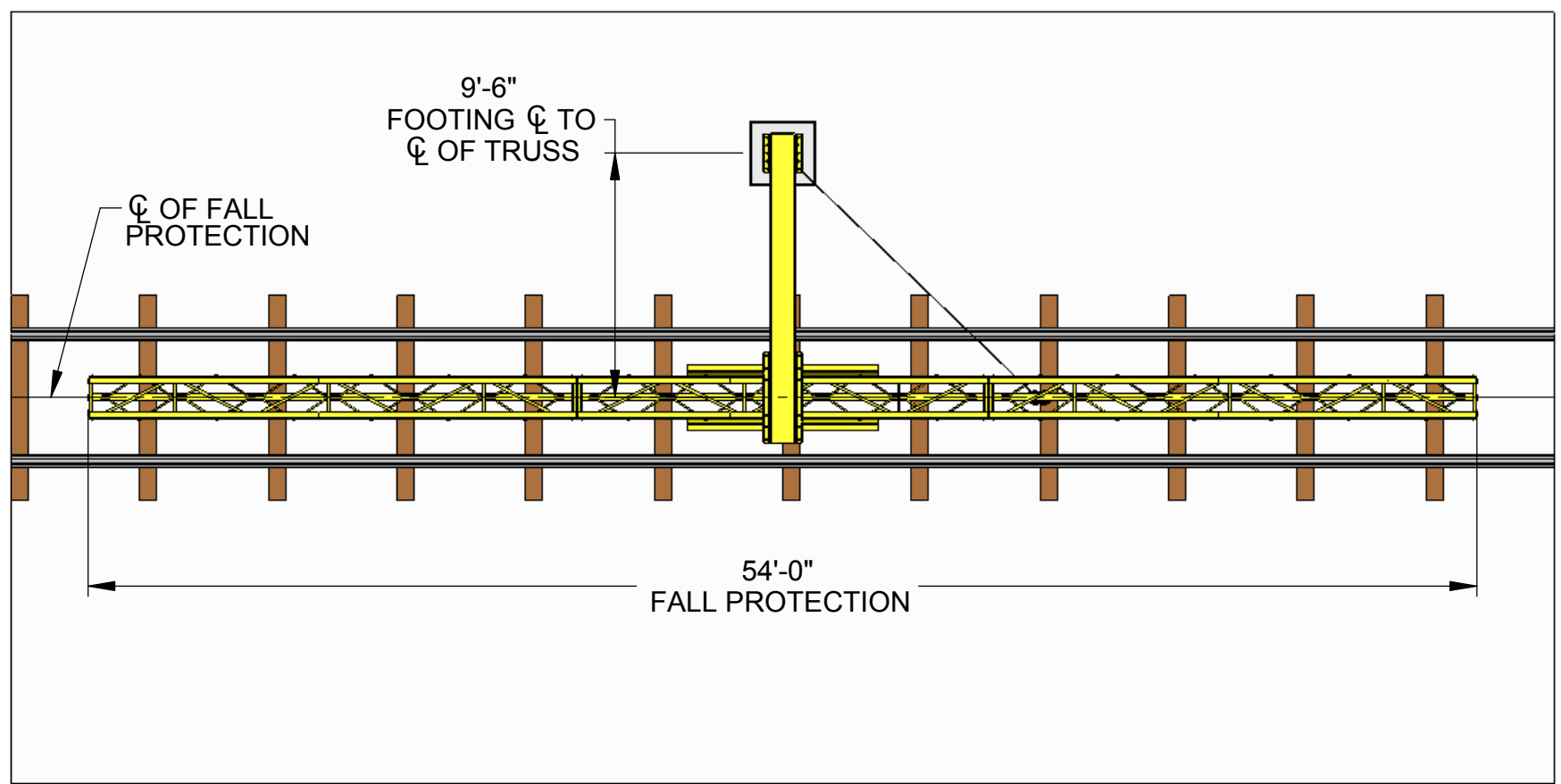
D
C
B
A



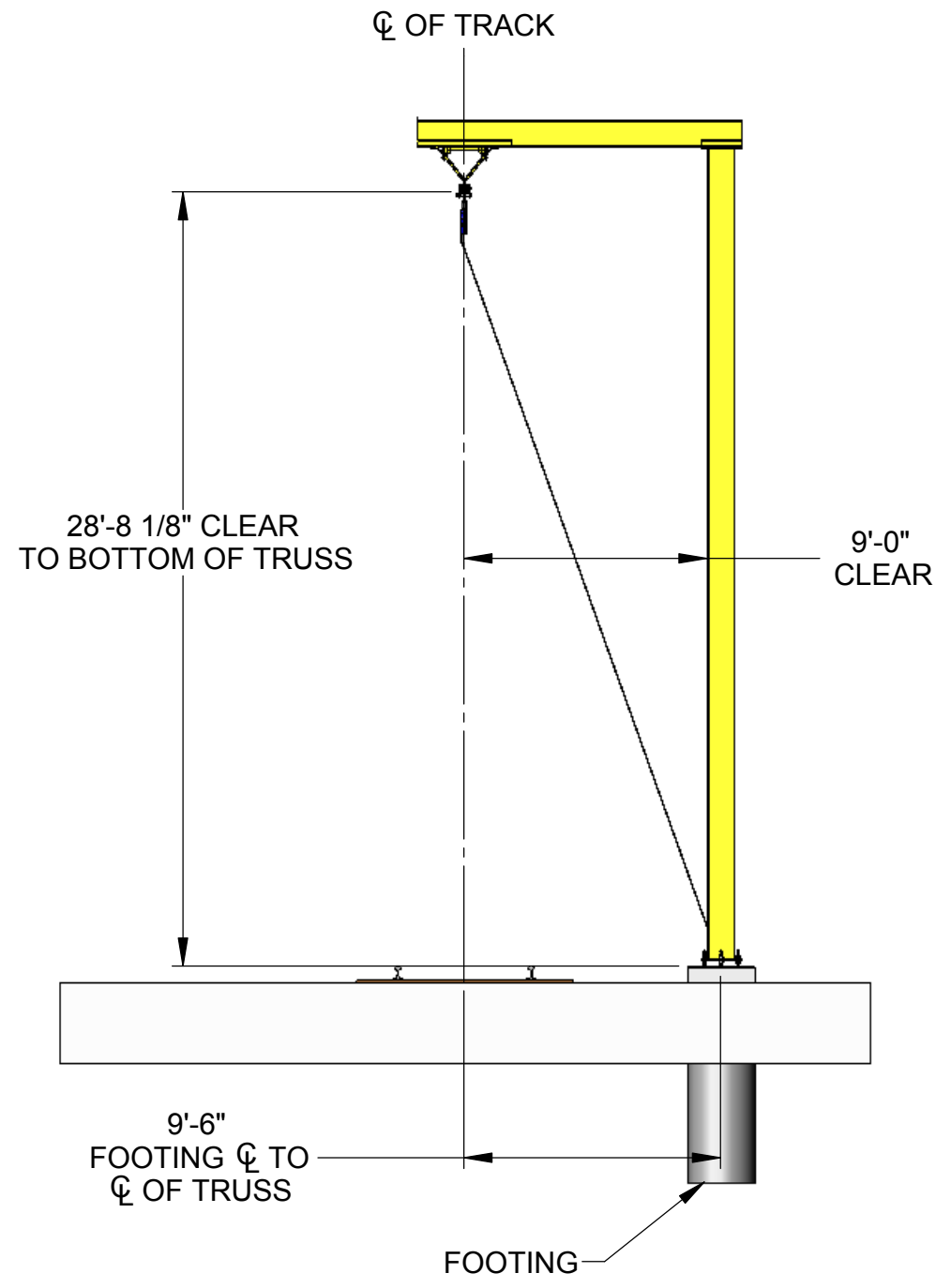
<p>PROPRIETARY AND CONFIDENTIAL</p> <p>COVERED UNDER U.S. PATENTS D444,023 AND 6269,904B1 DESIGN CONFORMS WITH OSHA REGULATION (STD. 29 CFR) STD. NO. 1926.502, TITLED FALL PROTECTION SYSTEM CRITERIA & PRACTICES, SUBPART M, TITLED FALL PROTECTION</p> <p>THE INFORMATION CONTAINED IN THIS DRAWING IS THE SOLE PROPERTY OF FALL PROTECTION SYSTEMS. ANY REPRODUCTION IN PART OR AS A WHOLE WITHOUT THE WRITTEN PERMISSION OF FALL PROTECTION SYSTEMS IS PROHIBITED.</p> <p>DO NOT SCALE DRAWING</p>	<p><i>Fall Protection Systems FPS</i></p>
	<p>FOR</p> <p>L-60 GENERAL ARRANGEMENT</p>
<p>LOCATION</p>	<p>SIZE</p> <p>B</p>
<p>Quote No. _____ Job No. _____ Date _____</p> <p>Drawn by _____ Rev. _____ Date _____</p>	<p>SHEET 1 / 2</p>

8 7 6 5 4 3 2 1

PLAN VIEW



SECTION A-A



PROPRIETARY AND CONFIDENTIAL <small>COVERED UNDER U.S. PATENTS D444,023 AND 6269,904B1 DESIGN CONFORMS WITH OSHA REGULATION (STD. 29 CFR) STD. NO. 1926.502, TITLED FALL PROTECTION SYSTEM CRITERIA & PRACTICES, SUBPART M, TITLED FALL PROTECTION</small>	Fall Protection Systems FPS	
	FOR L-60 GENERAL ARRANGEMENT	
<small>THE INFORMATION CONTAINED IN THIS DRAWING IS THE SOLE PROPERTY OF FALL PROTECTION SYSTEMS. ANY REPRODUCTION IN PART OR AS A WHOLE WITHOUT THE WRITTEN PERMISSION OF FALL PROTECTION SYSTEMS IS PROHIBITED.</small> DO NOT SCALE DRAWING	LOCATION _____	
	B	SIZE <input type="text"/> Quote No. <input type="text"/> Job No. <input type="text"/> Date <input type="text"/> Drawn by <input type="text"/> Rev. <input type="text"/> Date <input type="text"/>

8 7 6 5 4 3 2 1