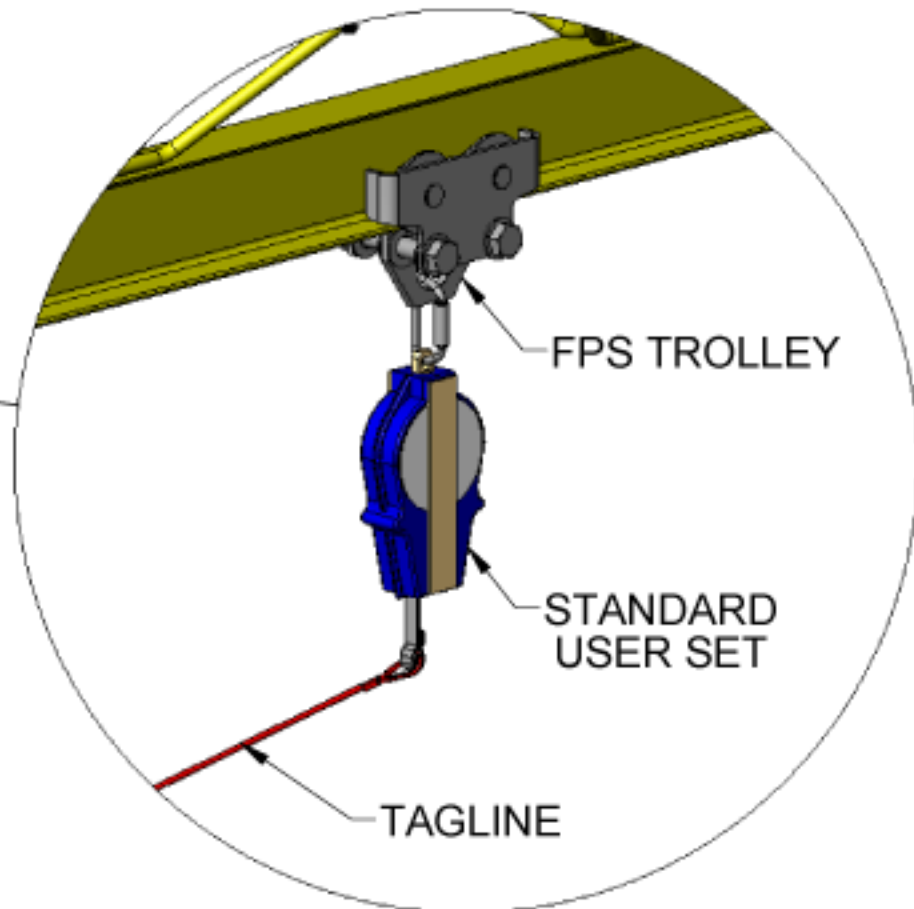
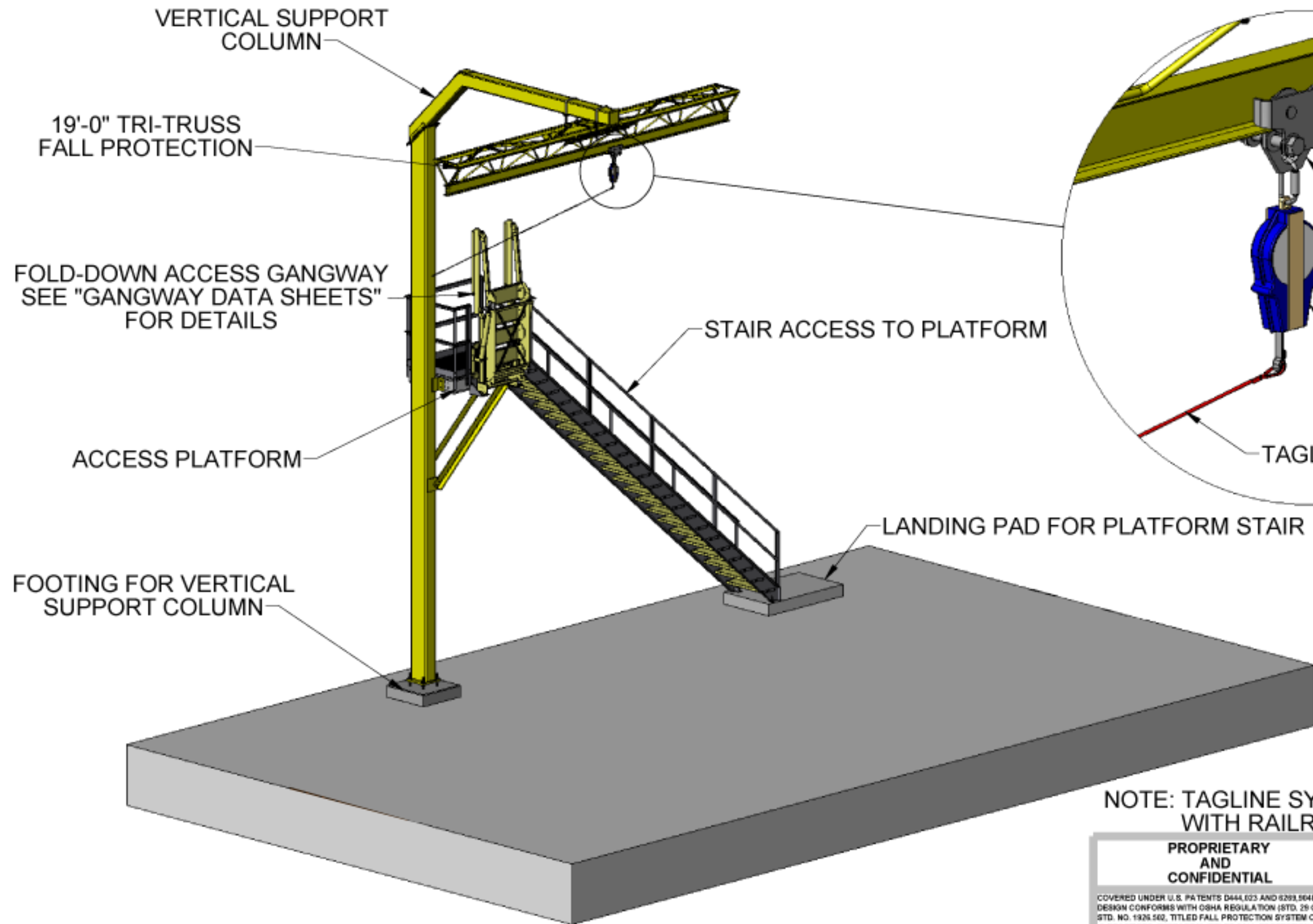


**DETAIL OF STANDARD USER SET**



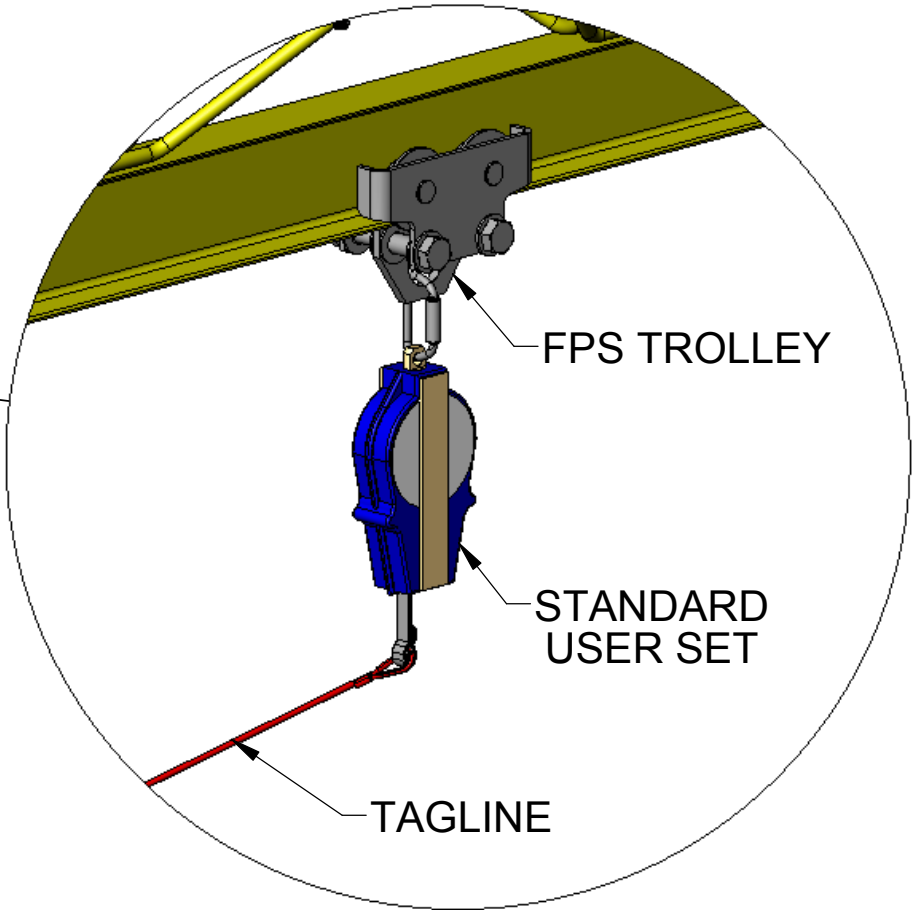
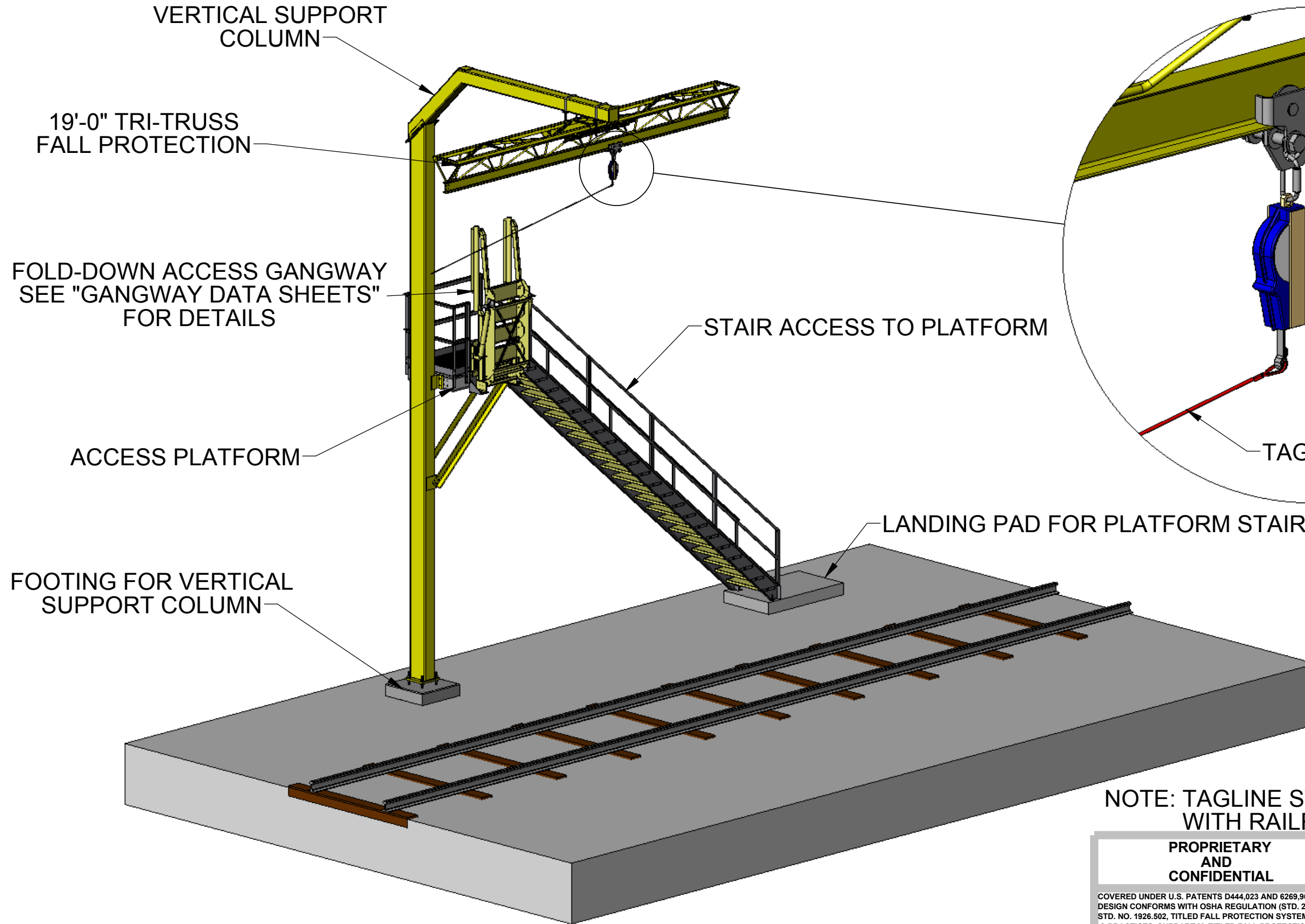
**NOTE: TAGLINE SYSTEM WILL NOT INTERFERE WITH RAILROAD ENVELOPE.**

<p><b>PROPRIETARY AND CONFIDENTIAL</b></p> <p>COVERED UNDER U.S. PATENTS 6444,033 AND 6293,964B1          DESIGN CONFORMS WITH OSHA REGULATION (STD. 29 CFR) STD. NO. 1926.502, TITLED FALL PROTECTION SYSTEM CRITERIA &amp; PRACTICES, SUBPART M, TITLED FALL PROTECTION</p> <p>THE INFORMATION CONTAINED IN THIS DRAWING IS THE SOLE PROPERTY OF FALL PROTECTION SYSTEMS. ANY REPRODUCTION IN PART OR AS A WHOLE WITHOUT THE WRITTEN PERMISSION OF FALL PROTECTION SYSTEMS IS PROHIBITED.</p> <p>DO NOT SCALE DRAWING</p>	<p><i>Fall Protection Systems FPS</i></p>
	<p>FOR <b>AR-20</b> <b>GENERAL ARRANGEMENT</b></p>
<p>LOCATION</p>	<p>DATE No. Job No. Date</p>
<p>SIZE <b>B</b></p>	<p>Drawn by Rev. Date</p>

**DETAIL OF STANDARD USER SET**

D  
C  
B  
A

D  
C  
B  
A



**NOTE: TAGLINE SYSTEM WILL NOT INTERFERE WITH RAILROAD ENVELOPE.**

<p><b>PROPRIETARY AND CONFIDENTIAL</b></p> <p>COVERED UNDER U.S. PATENTS D444,023 AND 6269,904B1 DESIGN CONFORMS WITH OSHA REGULATION (STD. 29 CFR) STD. NO. 1926.502, TITLED FALL PROTECTION SYSTEM CRITERIA &amp; PRACTICES, SUBPART M, TITLED FALL PROTECTION</p> <p>THE INFORMATION CONTAINED IN THIS DRAWING IS THE SOLE PROPERTY OF FALL PROTECTION SYSTEMS. ANY REPRODUCTION IN PART OR AS A WHOLE WITHOUT THE WRITTEN PERMISSION OF FALL PROTECTION SYSTEMS IS PROHIBITED.</p> <p>DO NOT SCALE DRAWING</p>	<p><i>Fall Protection Systems FPS</i></p>	
	<p>FOR <b>AR-20</b> <b>GENERAL ARRANGEMENT</b></p>	
<p>LOCATION</p>		
<p>SIZE <b>B</b></p>	<p>Quote No. _____</p>	<p>Job No. _____</p>
<p>Drawn by _____</p>	<p>Rev. _____</p>	<p>Date _____</p>

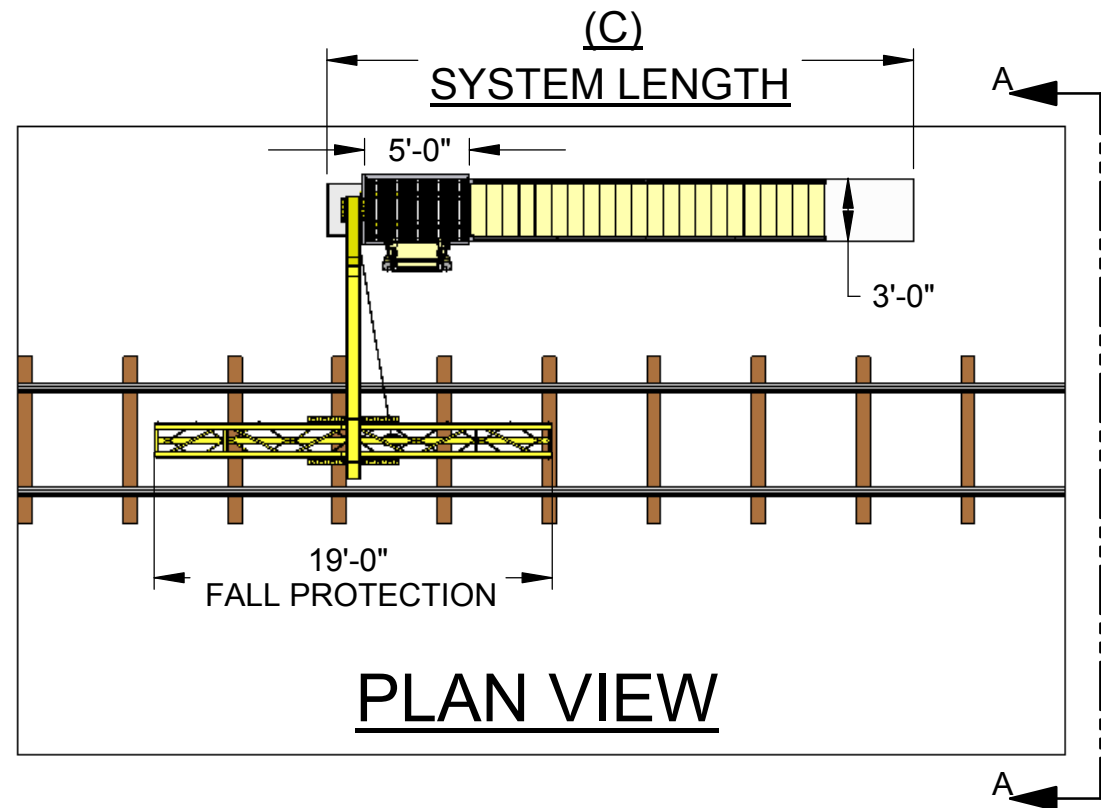
8 7 6 5 4 3 2 1

D

C

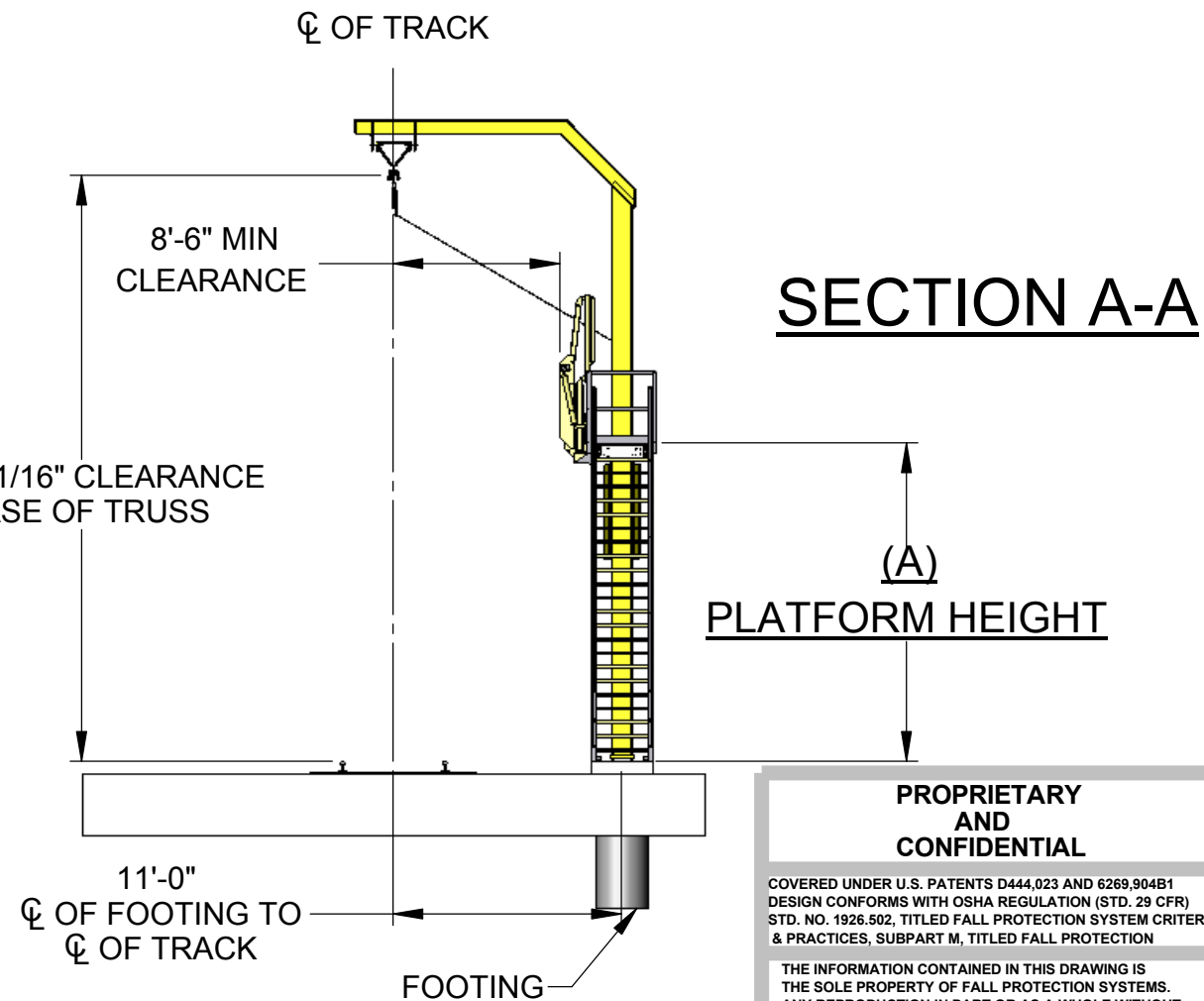
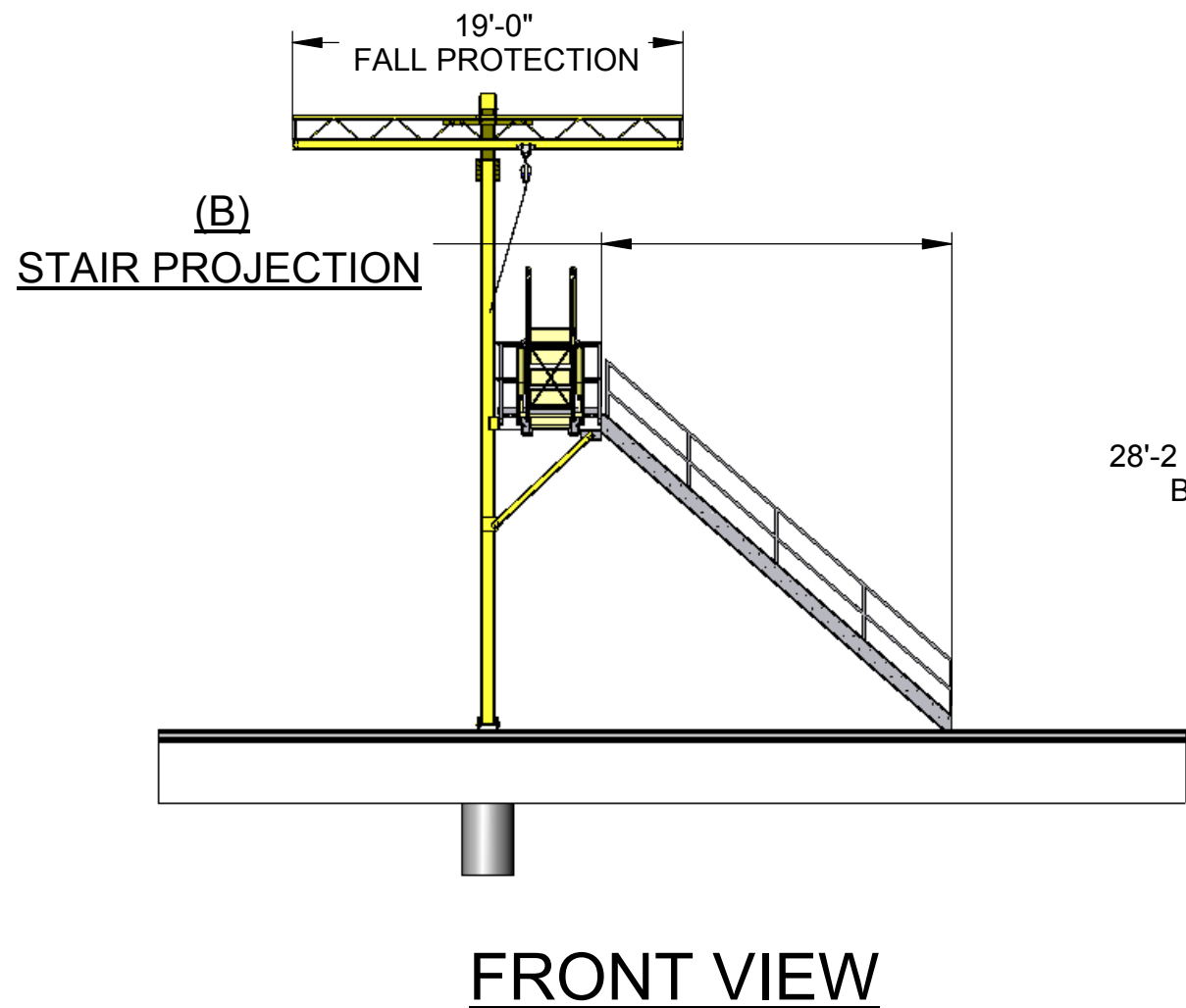
B

A



**FIG A.**  
**SYSTEM HEIGHTS AND PROJECTIONS**

(A) PLATFORM HEIGHT	(B) STAIR STRINGER PROJECTION	(C) OVERALL SYSTEM LENGTH	CENTERLINE OF FOOTING TO CENTERLINE OF LANDING PAD
15'-4"	17'-0"	28'-2"	24'-5"
14'-8"	16'-3"	27'-5"	23'-8"
14'-0"	15'-6"	26'-8"	22'-11"
13'-4"	14'-9"	25'-10"	22'-2"
12'-8"	14'-0"	25'-1"	21'-4"
12'-0"	13'-3"	24'-4"	20'-7"
11'-4"	12'-4"	23'-7"	19'-10"



**PROPRIETARY AND CONFIDENTIAL**

COVERED UNDER U.S. PATENTS D444,023 AND 6269,904B1  
DESIGN CONFORMS WITH OSHA REGULATION (STD. 29 CFR) STD. NO. 1926.502, TITLED FALL PROTECTION SYSTEM CRITERIA & PRACTICES, SUBPART M, TITLED FALL PROTECTION

THE INFORMATION CONTAINED IN THIS DRAWING IS THE SOLE PROPERTY OF FALL PROTECTION SYSTEMS. ANY REPRODUCTION IN PART OR AS A WHOLE WITHOUT THE WRITTEN PERMISSION OF FALL PROTECTION SYSTEMS IS PROHIBITED.

DO NOT SCALE DRAWING

*Fall Protection Systems FPS*

FOR  
**AR-20**  
**GENERAL ARRANGEMENT**

LOCATION

SIZE **B** Quote No. Job No. Date  
Drawn by Rev. Date

**SHEET 2 / 2**

8 7 6 5 4 3 2 1